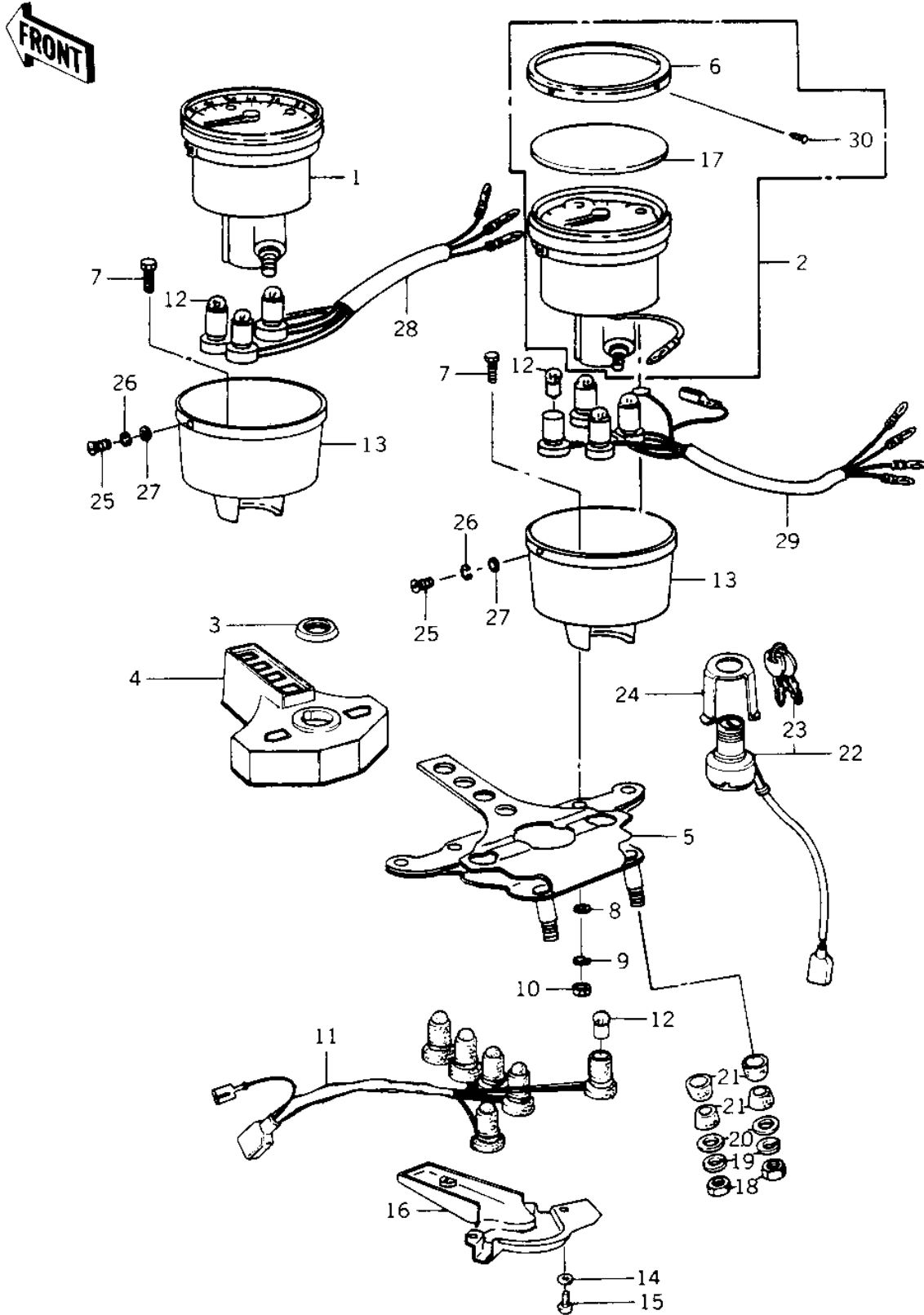


1978 Police 1000 PARTS DIAGRAM

METERS/IGNITION SWITCH ('78 C1/C1A)



1978 Police 1000 PARTS LIST

METERS/IGNITION SWITCH ('78 C1/C1A)

| ITEM NAME | PART NUMBER | QUANTITY |
|--|--------------|----------|
| SPEEDOMETER ASSY,L.H (Ref # 1) | 25005-1016 | 1 |
| SPEEDMETER ASSY,KPH (Canada) (Ref # 2) | 25005-1030 | 1 |
| SPEEDOMETER ASSY,R.H (Ref # 2) | 25005-1015 | 1 |
| SPEEDMETER ASSY,KPH (Canada) (Ref # 2) | 25005-1029 | 1 |
| NUT,IGNITION SW LOCK (Ref # 3) | 27007-004 | 1 |
| COVER,METER,INDICATE (Ref # 4) | 25023-015 | 1 |
| BRACKET,METER (Ref # 5) | 25008-1002 | 1 |
| RETAINER,SPEEDOMETER (Ref # 6) | 14020-4001 | 2 |
| BOLT-UPSET,6X16 (Ref # 7) | 112G0616 | 4 |
| WASHER PLAIN 6MM (Ref # 8) | 411B0600 | 4 |
| WASHER SPRING 6MM (Ref # 9) | 461F0600 | 4 |
| NUT 6MM (Ref # 10) | 311B0600 | 4 |
| SOCKET,INDICATOR LAM (Ref # 11) | 23008-1010 | 1 |
| BULB 12V 3W (Ref # 12) | 92069-018 | 13 |
| COVER,SPEEDOMETER (Ref # 13) | 14025-1011 | 2 |
| WASHER SPRING 3MM (Ref # 14) | 461F0300 | 5 |
| SCREW PAN HEAD 3X8 (Ref # 15) | 220B0308 | 3 |
| COVER,METER BRACKET (Ref # 16) | 25024-006 | 1 |
| LENS,SPEEDOMETER (Ref # 17) | 23026-4001 | 2 |
| NUT,8MM (Ref # 18) | 311B0800 | 2 |
| WASHER SPRING 8MM (Ref # 19) | 461F0800 | 2 |
| WASHER PLAIN 8MM (Ref # 20) | 411B0800 | 2 |
| DAMPER RUBBER (Ref # 21) | 92075-080 | 4 |
| SWITCH ASSY,IGITION (Ref # 22) | 27005-5003 | 1 |
| KEY SET,#751 (Ref # 23) | 27008-069-51 | 1 |
| KEY SET,#752 (Ref # 23) | 27008-069-52 | 1 |
| KEY SET,#753 (Ref # 23) | 27008-069-53 | 1 |
| KEY SET,#754 (Ref # 23) | 27008-069-54 | 1 |
| KEY SET,#755 (Ref # 23) | 27008-069-55 | 1 |

1978 Police 1000 PARTS LIST

METERS/IGNITION SWITCH ('78 C1/C1A)

| ITEM NAME | PART NUMBER | QUANTITY |
|-------------------------|--------------|----------|
| KEY SET,#756 (Ref # 23) | 27008-069-56 | 1 |
| KEY SET,#757 (Ref # 23) | 27008-069-57 | 1 |
| KEY SET,#758 (Ref # 23) | 27008-069-58 | 1 |
| KEY SET,#759 (Ref # 23) | 27008-069-59 | 1 |
| KEY SET,#760 (Ref # 23) | 27008-069-60 | 1 |
| KEY SET #761 (Ref # 23) | 27008-069-61 | 1 |
| KEY SET #762 (Ref # 23) | 27008-069-62 | 1 |
| KEY SET #763 (Ref # 23) | 27008-069-63 | 1 |
| KEY SET #764 (Ref # 23) | 27008-069-64 | 1 |
| KEY SET #765 (Ref # 23) | 27008-069-65 | 1 |
| KEY SET #766 (Ref # 23) | 27008-069-66 | 1 |
| KEY SET #767 (Ref # 23) | 27008-069-67 | 1 |
| KEY SET #768 (Ref # 23) | 27008-069-68 | 1 |
| KEY SET #769 (Ref # 23) | 27008-069-69 | 1 |
| KEY SET #770 (Ref # 23) | 27008-069-70 | 1 |
| KEY SET #771 (Ref # 23) | 27008-069-71 | 1 |
| KEY SET #772 (Ref # 23) | 27008-069-72 | 1 |
| KEY SET #773 (Ref # 23) | 27008-069-73 | 1 |
| KEY SET #774 (Ref # 23) | 27008-069-74 | 1 |
| KEY SET #775 (Ref # 23) | 27008-069-75 | 1 |
| KEY SET #776 (Ref # 23) | 27008-069-76 | 1 |
| KEY SET #777 (Ref # 23) | 27008-069-77 | 1 |
| KEY SET #778 (Ref # 23) | 27008-069-78 | 1 |
| KEY SET #779 (Ref # 23) | 27008-069-79 | 1 |
| KEY SET #780 (Ref # 23) | 27008-069-80 | 1 |
| KEY SET #781 (Ref # 23) | 27008-069-81 | 1 |
| KEY SET #782 (Ref # 23) | 27008-069-82 | 1 |
| KEY SET #783 (Ref # 23) | 27008-069-83 | 1 |
| KEY SET #784 (Ref # 23) | 27008-069-84 | 1 |

1978 Police 1000 PARTS LIST

METERS/IGNITION SWITCH ('78 C1/C1A)

| ITEM NAME | PART NUMBER | QUANTITY |
|---------------------------------|--------------|----------|
| KEY SET #785 (Ref # 23) | 27008-069-85 | 1 |
| KEY SET,#786 (Ref # 23) | 27008-069-86 | 1 |
| KEY SET,#787 (Ref # 23) | 27008-069-87 | 1 |
| KEY SET,#788 (Ref # 23) | 27008-069-88 | 1 |
| KEY SET,#789 (Ref # 23) | 27008-069-89 | 1 |
| KEY SET,#790 (Ref # 23) | 27008-069-90 | 1 |
| KEY SET,#791 (Ref # 23) | 27008-069-91 | 1 |
| KEY SET,#792 (Ref # 23) | 27008-069-92 | 1 |
| KEY SET,#793 (Ref # 23) | 27008-069-93 | 1 |
| KEY SET,#794 (Ref # 23) | 27008-069-94 | 1 |
| KEY SET,#795 (Ref # 23) | 27008-069-95 | 1 |
| KEY,BLANK (Ref # 23) | 27008-1013 | A. |
| HOLDER IGNITION SW (Ref # 24) | 27019-003 | 1 |
| SCREW PAN HEAD 4X8 (Ref # 25) | 220B0408 | 8 |
| WASHER SPRING 4MM (Ref # 26) | 461F0400 | 8 |
| WASHER PLAIN 4MM (Ref # 27) | 410B0400 | 8 |
| SOCKET,SPEEDOMETER,L (Ref # 28) | 23008-1011 | 1 |
| SOCKET,SPEEDOMETER,R (Ref # 29) | 23008-1009 | 1 |
| SCREW,PAN HEAD,2.3X3 (Ref # 30) | 92009-4001 | 8 |