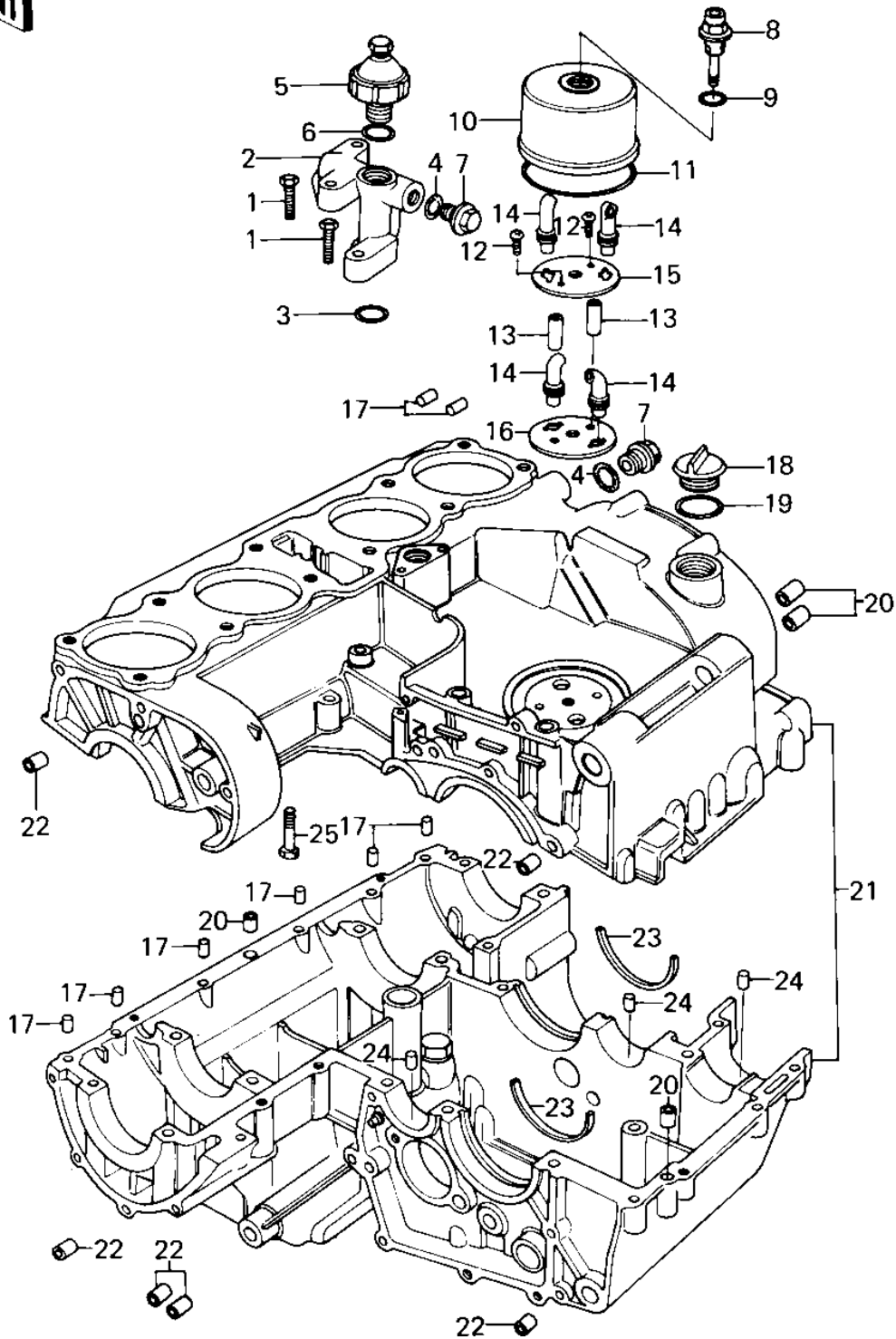


# 1981 Police 1000 PARTS DIAGRAM

CRANKCASE/BREATHER COVER ('79-'81 C2/C3/



# 1981 Police 1000 PARTS LIST

CRANKCASE/BREATHER COVER ('79-'81 C2/C3/

| ITEM NAME                       | PART NUMBER | QUANTITY |
|---------------------------------|-------------|----------|
| BOLT,HEX HEAD,6X35 (Ref # 1)    | 92001-164   | 4        |
| PIPE (Ref # 2)                  | 16109-003   | 1        |
| "O" RING,18MM (Ref # 3)         | 670B2018    | 2        |
| "O" RING,15MM (Ref # 4)         | 670B2015    | 2        |
| SWITCH,OIL PRESSURE (Ref # 5)   | 27010-1013  | 1        |
| "O" RING (Ref # 6)              | 92055-055   | 1        |
| PLUG (Ref # 7)                  | 92066-021   | 2        |
| BOLT,BREATHER FITTIN (Ref # 8)  | 92003-098   | 1        |
| "O" RING,16MM (Ref # 9)         | 670B2016    | 1        |
| BODY,BREATHER (Ref # 10)        | 14070-007   | 1        |
| "O" RING,91MM (Ref # 11)        | 92055-052   | 1        |
| SCREW PAN HEAD 6X40 (Ref # 12)  | 220B0640    | 2        |
| COLLAR,IGNITION COIL (Ref # 13) | 92027-276   | 2        |
| TUBE,BREATHER (Ref # 14)        | 92059-140   | 4        |
| PLATE,BREATHER (Ref # 15)       | 14068-009   | 1        |
| PLATE,BREATHER (Ref # 16)       | 14068-007   | 1        |
| PIN DOWEL 6MM (Ref # 17)        | 92042-016   | 1        |
| PLUG,OIL FILLER (Ref # 18)      | 16115-013   | 1        |
| "O" RING,31MM (Ref # 19)        | 92055-049   | 1        |
| PIN,DOWEL,10X8.2X14 (Ref # 20)  | 92043-1037  | 4        |
| CRANKCASE SET (Ref # 21)        | 14001-5042  | 1        |
| PIN-DOWEL (Ref # 22)            | 92042-007   | 8        |
| RING,POSITION (Ref # 23)        | 14013-1004  | 2        |
| RING-BEARING SET (Ref # 23)     | 14013-013   | AR       |
| PIN DOWEL 6MM (Ref # 24)        | 92042-016   | 3        |
| BOLT,HEX HEAD,8X72 (Ref # 25)   | 92003-107   | 4        |