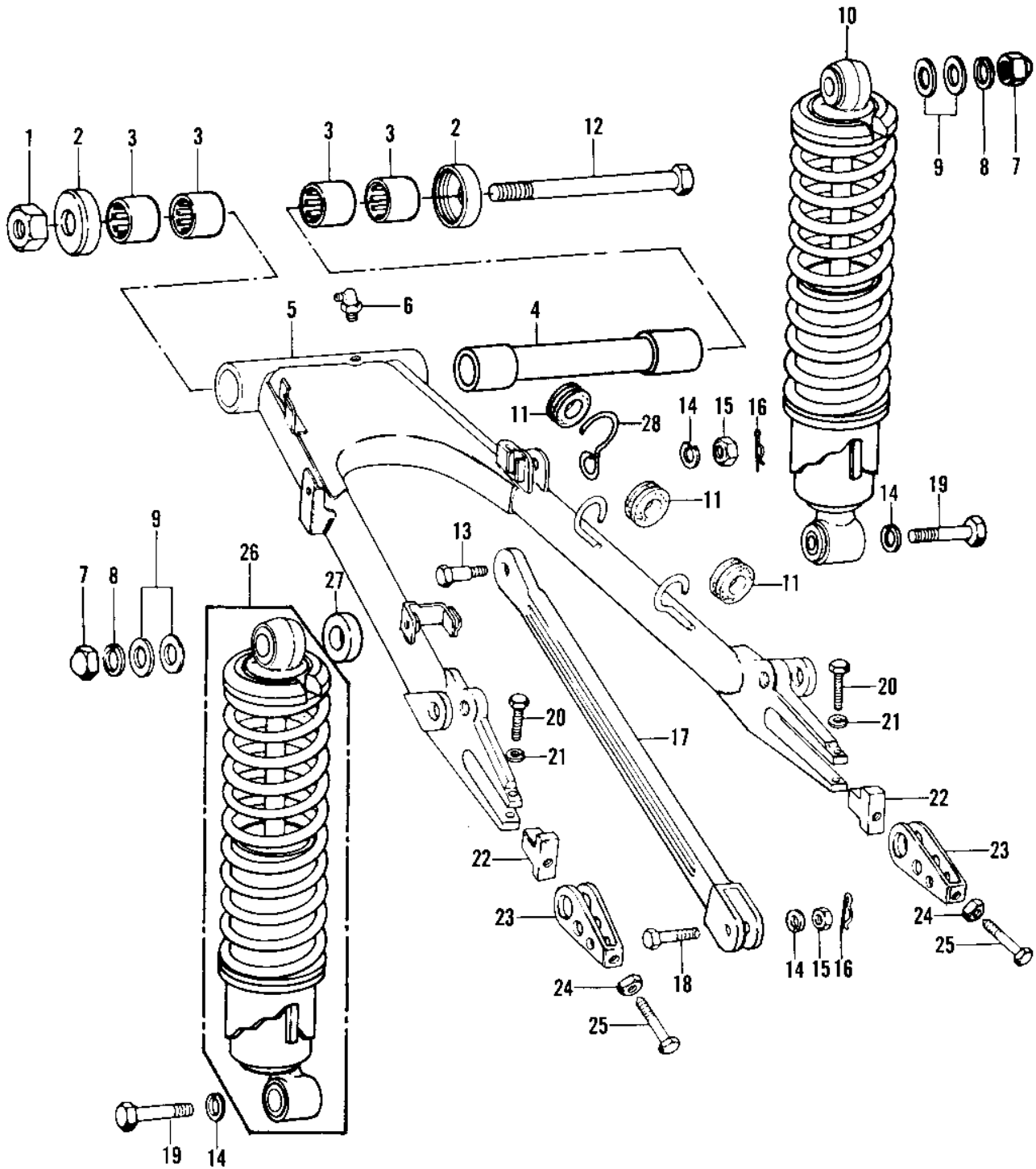


1979 Police 1000 PARTS DIAGRAM

SWING ARM/SHOCK ABSORBERS ('79-'81 G2/C3)



1979 Police 1000 PARTS LIST

SWING ARM/SHOCK ABSORBERS ('79-'81 G2/G3)

| ITEM NAME | PART NUMBER | QUANTITY |
|---------------------------------|-------------|----------|
| NUT-SELF LOCKING (Ref # 1) | 92019-012 | 1 |
| CAP,SWING ARM (Ref # 2) | 33035-009 | 2 |
| BEARING-NEEDLE,HK221 (Ref # 3) | 92046-1115 | 4 |
| SLEEVE,SWING ARM (Ref # 4) | 42036-1011 | 1 |
| SWING ARM (Ref # 5) | 33001-1008 | 1 |
| GREASE NIPPLE (Ref # 6) | 92005-002 | 1 |
| NUT 12MM (Ref # 7) | 92020-014 | 2 |
| WASHER PLAIN 12MM (Ref # 9) | 410B1200 | 4 |
| SHOCKABSORBER,RR (Ref # 10) | 45014-4013 | 1 |
| DAMPER RUBBER (Ref # 11) | 43064-007 | 3 |
| SHAFT,SWING ARM PIVO (Ref # 12) | 33032-036 | 1 |
| BOLT,HEX HEAD,10X39 (Ref # 13) | 92003-218 | 1 |
| WASHER SPRING 10MM (Ref # 14) | 461F1000 | 4 |
| NUT,10MM (Ref # 15) | 314B1000 | 1 |
| PIN,SNAP (Ref # 16) | 554A0800 | 2 |
| TORQUE LINK,REAR HUB (Ref # 17) | 43007-049 | 1 |
| BOLT,10X47 (Ref # 18) | 92001-1145 | 1 |
| BOLT HEX HEAD 10X35 (Ref # 19) | 113N1035 | 2 |
| BOLT (Ref # 20) | 110G0840 | 2 |
| WASHER SPRING 8MM (Ref # 21) | 461F0800 | 2 |
| STOPPER,CHAIN ADJUST (Ref # 22) | 33044-001 | 2 |
| ADJUSTER,CHAIN (Ref # 23) | 33040-066 | 2 |
| NUT 10MM (Ref # 24) | 315B1000 | 3 |
| BOLT-CHN ADJUST 10MM (Ref # 25) | 92001-143 | 2 |
| SHOCKABSORBER,RR (Ref # 26) | 45014-4013 | 1 |
| SPACER,LH REAR SHOCK (Ref # 27) | 92026-4001 | 1 |
| CLAMP,BRAKE HOSE (Ref # 28) | 92037-1061 | 1 |