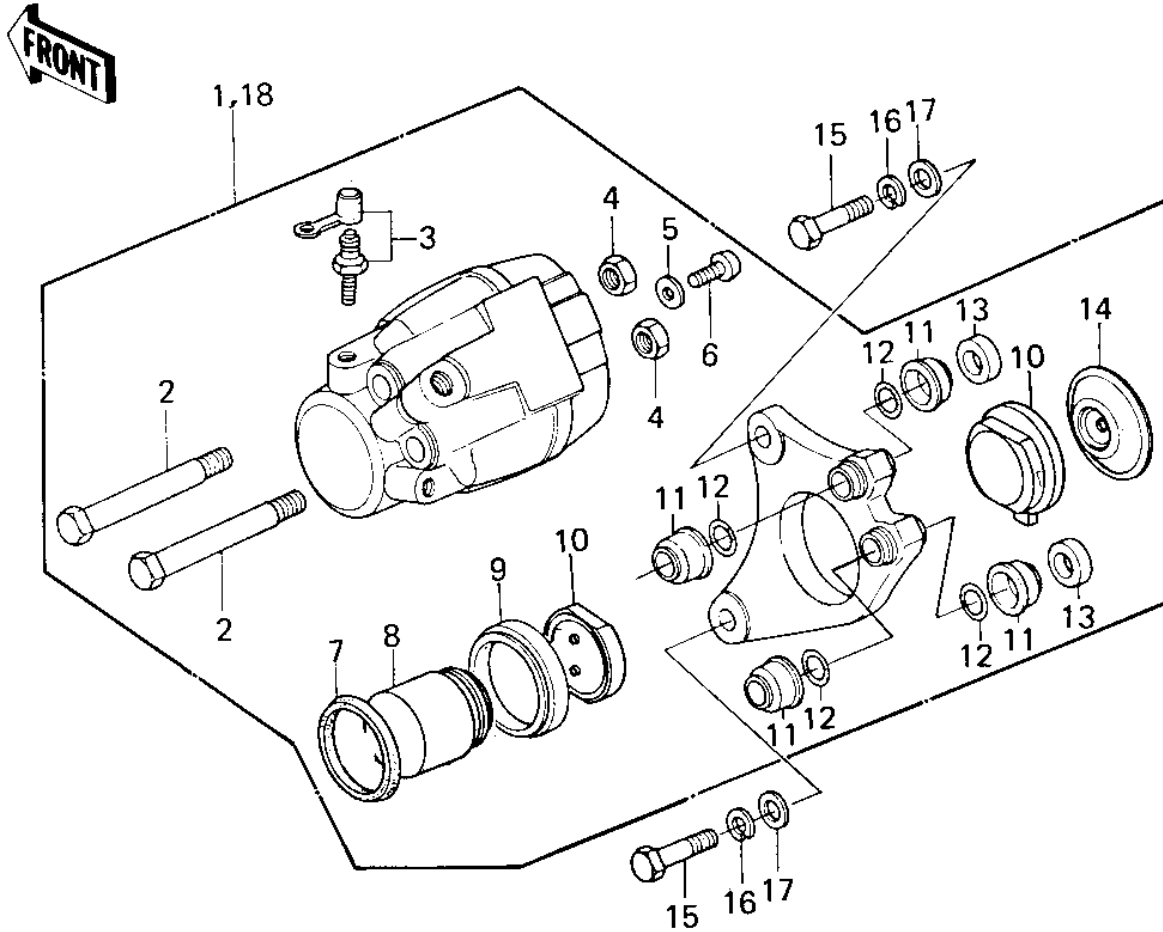
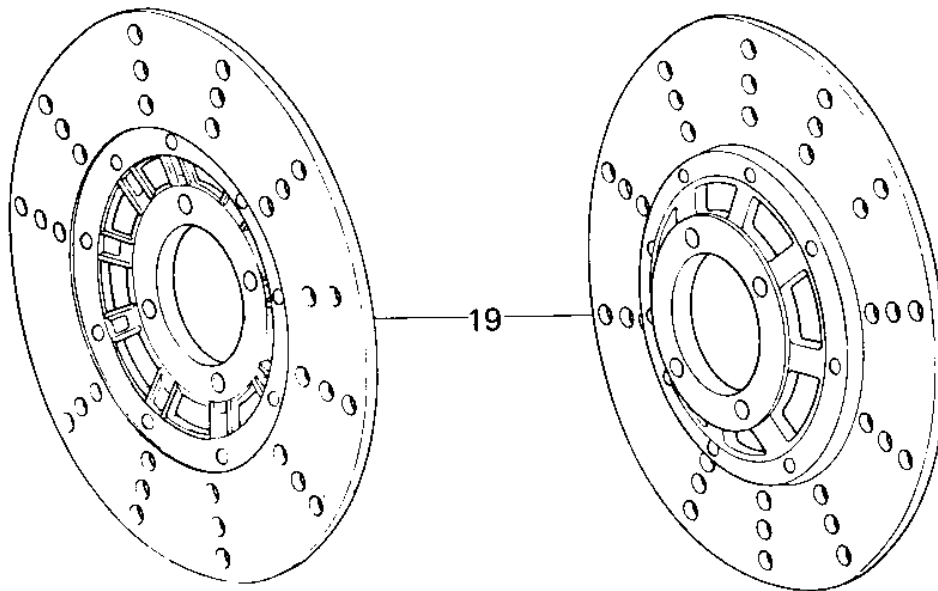


1980 Police 1000 PARTS DIAGRAM

FRONT BRAKE ('79-'81 C2/C3/C4)



1027



1980 Police 1000 PARTS LIST

FRONT BRAKE ('79-'81 G2/C3/C4)

| ITEM NAME | PART NUMBER | QUANTITY |
|---------------------------------|-------------|----------|
| CALIPER ASSY,L.H, (Ref # 1) | 43041-1024 | 1 |
| BOLT (Ref # 2) | 43045-006 | 4 |
| BLEEDER SET (Ref # 3) | 43085-001 | 2 |
| NUT 10MM (Ref # 4) | 315B1000 | 4 |
| WASHER SPRING 6MM (Ref # 5) | 461F0600 | 2 |
| SCREW PAN HEAD 6X12 (Ref # 6) | 220B0612 | 2 |
| RING,PISTON SEAL (Ref # 7) | 43049-002 | 2 |
| PISTON,BRAKE,42M/M (Ref # 8) | 43020-1012 | 2 |
| DUST SEALD,RUBBER (Ref # 9) | 43054-003 | 2 |
| PAD SET (Ref # 10) | 43082-1001 | 2 |
| DUST SHILD,SHAFT (Ref # 11) | 43052-005 | 8 |
| "O" RING (Ref # 12) | 43053-006 | 8 |
| PLUG (Ref # 13) | 43088-002 | 4 |
| SPACER (Ref # 14) | 43040-004 | 2 |
| BOLT (Ref # 15) | 92007-032 | 4 |
| WASHER SPRING 10MM (Ref # 16) | 461F1000 | 4 |
| WASHER PLAIN 10MM (Ref # 17) | 410B1000 | 4 |
| CALIPER ASSY,R.H (Ref # 18) | 43041-1025 | 1 |
| DISC PLATE,FRONT BRA (Ref # 19) | 41080-1022 | 2 |