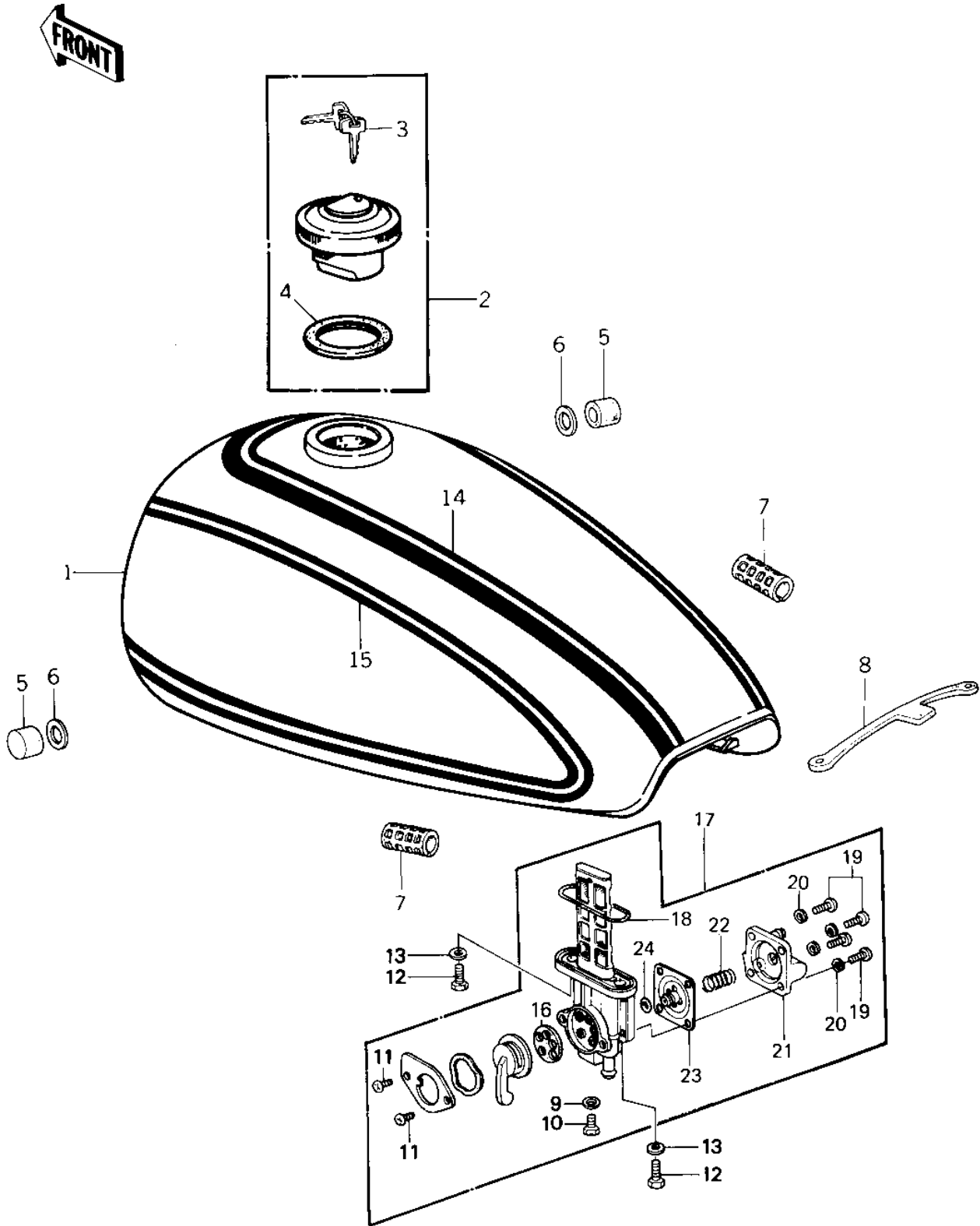


1981 Police 1000 PARTS DIAGRAM

FUEL TANK ('79-'81 C2/C3/C4)



1027

1981 Police 1000 PARTS LIST

FUEL TANK ('79-'81 C2/C3/C4)

ITEM NAME	PART NUMBER	QUANTITY
TANK-FUEL, (Ref # 1)	51001-4001-8C	1
CAP ASSY, LOCKING (Ref # 2)	51048-006	1
KEY SET,TANK,#165 (Ref # 3)	27008-053-65	AR
KEY SET,TANK,#166 (Ref # 3)	27008-053-66	AR
KEY SET,TANK,#167 (Ref # 3)	27008-053-67	AR
KEY SET,TANK,#168 (Ref # 3)	27008-053-68	AR
KEY SET TANK,#169 (Ref # 3)	27008-053-69	AR
GASKET,FUEL TANK CAP (Ref # 4)	51059-009	1
DAMPER RUBBER,FL TAN (Ref # 5)	92075-125	2
WASHER-PL-10.5X26X2. (Ref # 6)	92022-044	2
DAMPER RUBBER (Ref # 7)	92075-084	2
BAND,FUEL TANK (Ref # 8)	92072-042	1
GASKET,DRAIN BOLT (Ref # 9)	11009-1045	1
BOLT,DRAIN (Ref # 10)	92001-1089	1
SCREW PAN HEAD 4X8 (Ref # 11)	220B0408	2
BOLT,6X20,FUEL TAP (Ref # 12)	92001-1091	2
WASHER-PLAIN (Ref # 13)	92022-183	2
FUEL TANK DECAL TOP (Ref # 14)	56029-194	1
FUEL TANK DECAL LEFT (Ref # 15)	56029-196	1
FUEL TANK DECAL RIGH (Ref # 15)	56029-195	1
GASKET,FUEL TAP (Ref # 16)	11009-1044	1
TAP ASSY,FUEL (Ref # 17)	51023-1010	1
"0" RING (Ref # 18)	43058-1001	1
SCREW-PAN-CRSOSS,4X1 (Ref # 19)	220B0412	4
WASHER SPRING 4MM (Ref # 20)	461F0400	4
COVER ASSY,FUEL TAP (Ref # 21)	51036-1001	1
SPRING,DIAPHRAGM (Ref # 22)	92081-1054	1
DIAPHRAGM VALVE ASSY (Ref # 23)	16126-1011	1
"0" RING,DIAPHRAGM (Ref # 24)	92055-1068	1