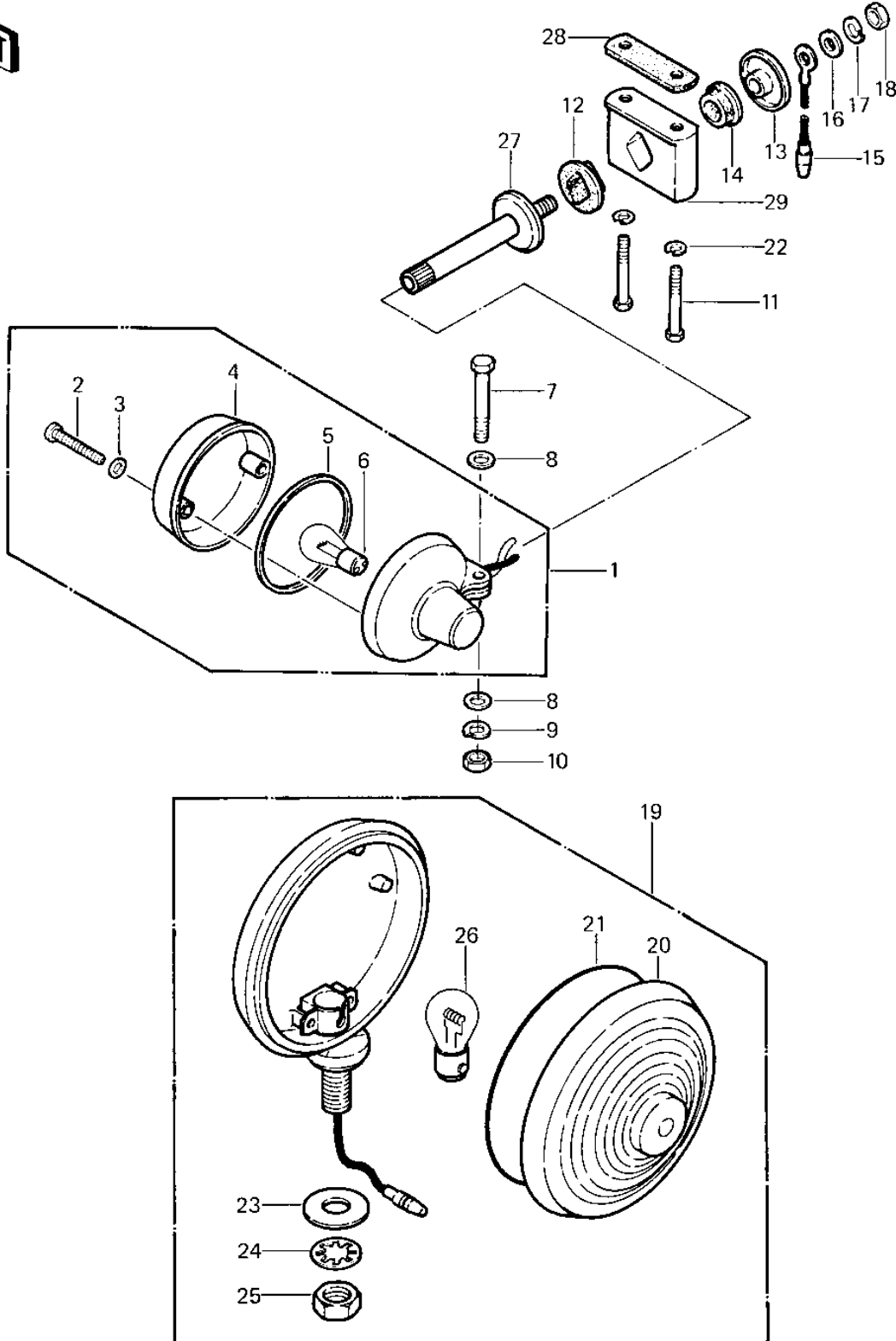


1979 Police 1000 PARTS DIAGRAM

TURN SIGNALS ('79-'81 C2/C3/C4)



1979 Police 1000 PARTS LIST

TURN SIGNALS ('79-'81 C2/C3/C4)

ITEM NAME	PART NUMBER	QUANTITY
LIGHT ASSY,TRN SG,R. (Ref # 1)	23040-1005	1
LIGHT ASSY,TRN,SG,L. (Ref # 1)	23040-1006	1
SCREW-PAN HEAD,4X35 (Ref # 2)	220E0435A	4
WASHER-PLAIN,4MM (Ref # 3)	23058-002	4
LENS-SIGNAL LAMP (Ref # 4)	23048-1024	2
GASKET,TURN SIG LAMP (Ref # 5)	23050-002	2
BULB,12V 23/8W (Ref # 6)	92069-060	2
BOLT-UPSET (Ref # 7)	112G0630	2
WASHER PLAIN 6MM (Ref # 8)	411B0600	4
WASHER SPRING 6MM (Ref # 9)	461F0600	2
NUT 6MM (Ref # 10)	311B0600	2
DAMPER,TURN SIG FITT (Ref # 12)	92075-1014	2
COLLAR,TURN SIG FITT (Ref # 13)	92027-1025	2
DAMPER RUBBER,SIG LM (Ref # 14)	92075-158	2
WIRE,LEAD (Ref # 15)	26011-095	2
WASHER PLAIN 10MM (Ref # 16)	411B1000	2
WASHER SPRING 10MM (Ref # 17)	461F1000	2
NUT 10MM (Ref # 18)	315B1000	2
LAMP ASSY, TURN, REA (Ref # 19)	23040-055	2
LENS,REAR TURN SIGNA (Ref # 20)	23048-018	2
LENS,RED REAR TS OPT (Ref # 20)	23048-019	(2)
LENS,BLUE REAR TS OP (Ref # 20)	23048-020	(2)
"0" RING,REAR TURN S (Ref # 21)	92055-103	2
GASKET OIL PIPE BANJ (Ref # 23)	92065-037	2
WASHER LOCK 12MM (Ref # 24)	464G1200	2
NUT (Ref # 25)	340BA1600	2
BULB 12V 32CP (Ref # 26)	92069-055	2
BRACKET,TURN SIG LAM (Ref # 27)	23051-1006	2