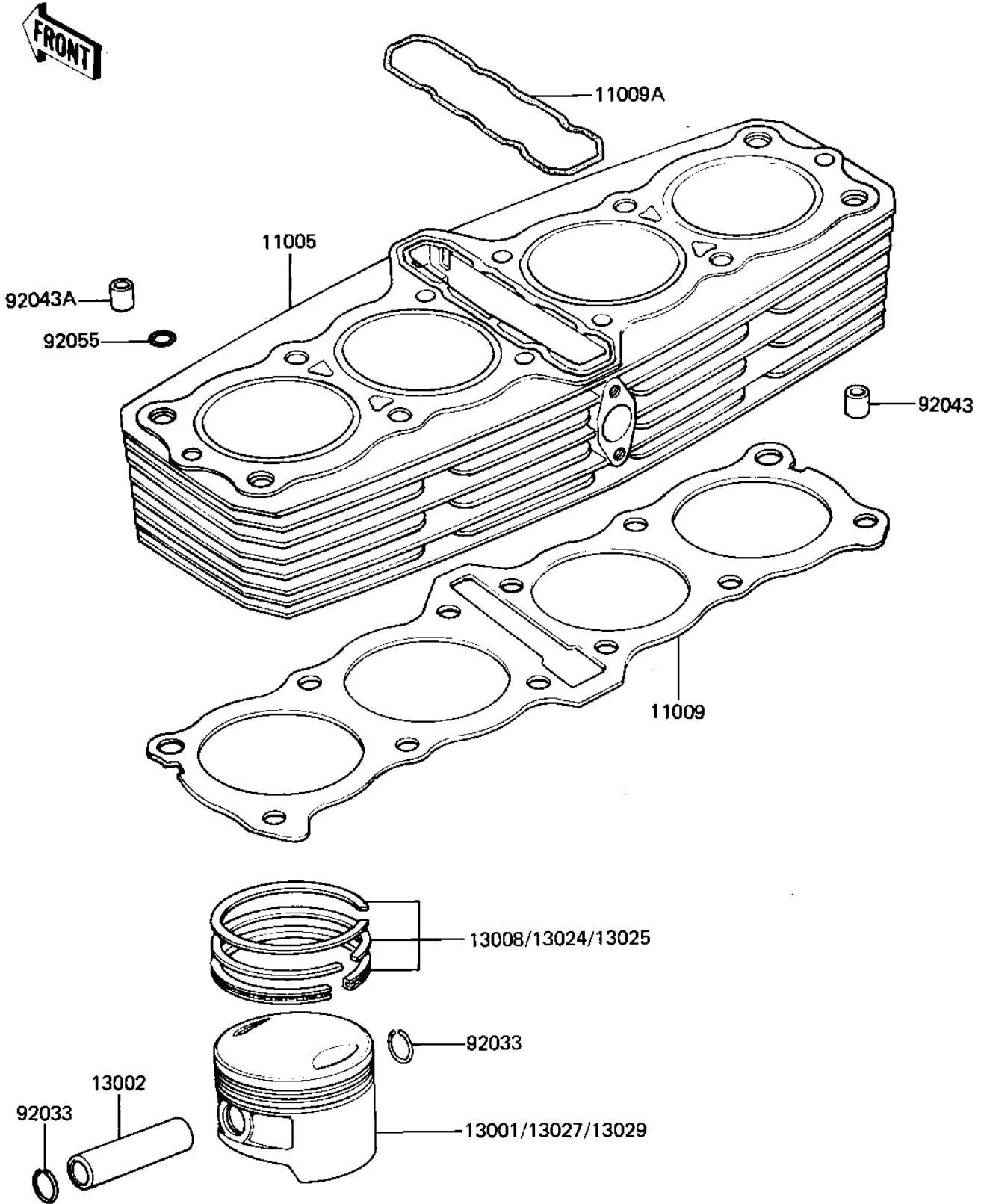


1981 LTD PARTS DIAGRAM

CYLINDER/PISTONS



1981 LTD PARTS LIST

CYLINDER/PISTONS

ITEM NAME	PART NUMBER	QUANTITY
11005-1327 (Canada) (Ref # 11005)	11005-1116	1
GASKET,CYLINDER BASE (Ref # 11009)	11060-1067	1
GASKET,CYLINDER (Ref # 11009A)	11009-1208	1
PISTON-ENGINE,STD (Ref # 13001)	13001-1119	4
PIN-PISTON (Ref # 13002)	13002-1013	4
RING-SET-PISTON (Ref # 13008)	13008-5035	4
RING SET,1.10 O/S (Ref # 13024)	13024-5018	4
RING SET,050 O/S (Ref # 13025)	13025-5018	4
PISTON-ENGINE LL,O/S (Ref # 13027)	13027-1056	4
PISTON-ENGINE L,O/S (Ref # 13029)	13029-1058	4
RING-SNAP (Ref # 92033)	92033-1054	8
PIN,11X14X12.3 (Ref # 92043)	92043-1266	2
PIN,DOWEL,10X8.2X14 (Ref # 92043A)	92043-1037	2
RING-0,0D=18.5MM (Ref # 92055)	92055-1148	4