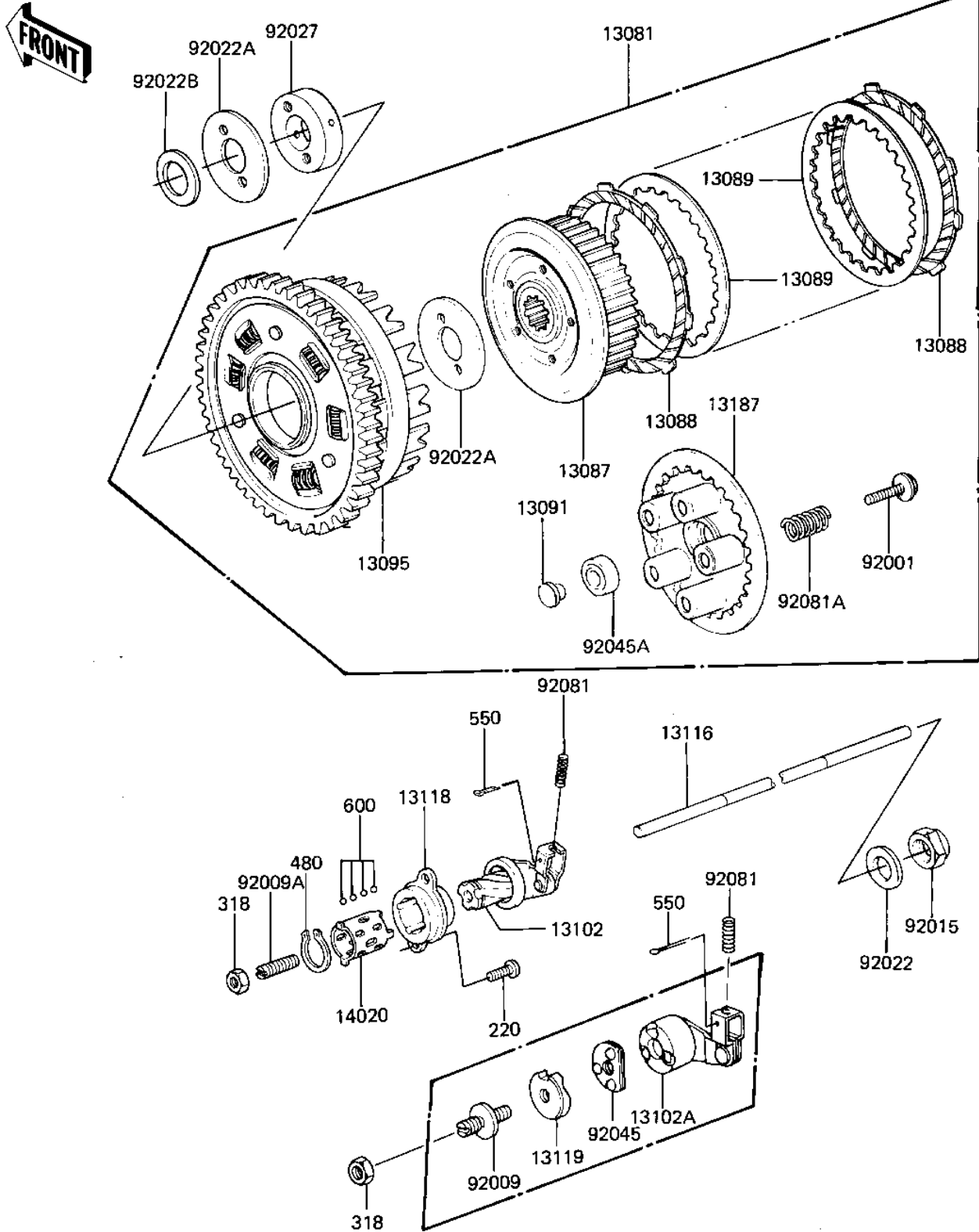


# 1982 LTD PARTS DIAGRAM

CLUTCH

E1350-0022



# 1982 LTD PARTS LIST

## CLUTCH

ITEM NAME	PART NUMBER	QUANTITY
CLUTCH-ASSY (Ref # 13081)	13081-1057	1
HUB-CLUTCH (Ref # 13087)	13087-1015	1
PLATE-FRICTION (Ref # 13088)	13088-1013	9
PLATE,CLUTCH,STEEL (Ref # 13089)	13089-1004	8
HOLDER (Ref # 13091)	13091-1085	1
HOUSING-COMP-CLUTCH (Ref # 13095)	13095-1037	1
RELEASE-COMP-CLUTCH (Ref # 13102A)	13102-1012	1
ROD-PUSH (Ref # 13116)	13116-1033	1
CAM,RELEASE,CLUTCH (Ref # 13119)	13119-1003	1
PLATE-CLUTCH OPERATI (Ref # 13187)	13187-1006	1
BOLT,CLUTCH SPR FITT (Ref # 92001)	92001-1066	5
SCREW,SLOTTED,8M/M (Ref # 92009)	92009-1009	1
NUT,20MM (Ref # 92015)	92015-1555	1
WASHER,PLAIN,2.3X20. (Ref # 92022)	92022-1116	1
WASHER,CLUTCH THRUST (Ref # 92022A)	92022-1221	2
WASHER (Ref # 92022B)	92022-1223	1
COLLAR (Ref # 92027)	92027-1284	1
BEARING,BALL,CLUTCH (Ref # 92045)	92045-1001	1
BEARING-BALL (Ref # 92045A)	92045-1235	1
SPRING-CLUTCH RELEAS (Ref # 92081)	92081-069	1
SPRING,CLUTCH (Ref # 92081A)	92081-1033	5
NUT 8MM (Ref # 318)	318B0800	1
PIN COTTER 1.6X15 (Ref # 550)	550D1615	1