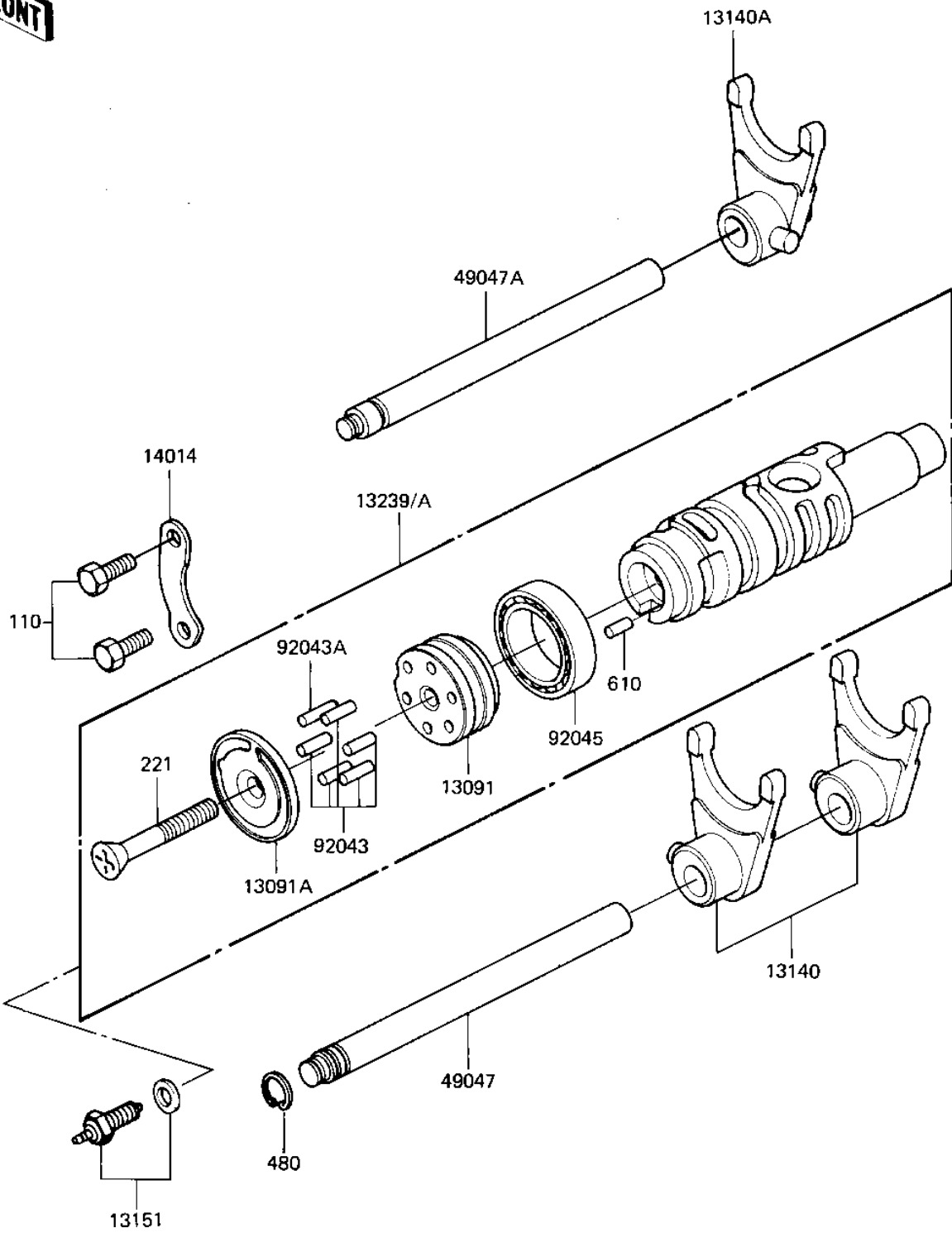


1981 LTD PARTS DIAGRAM

GEAR CHANGE DRUM

E1362-0022



1981 LTD PARTS LIST

GEAR CHANGE DRUM

ITEM NAME	PART NUMBER	QUANTITY
HOLDER,CHANGE DRUM P (Ref # 13091)	13091-1087	2
HOLDER,CHANGE DRUM (Ref # 13091A)	13091-1088	2
FORK-SHIFT (Ref # 13140)	13140-1045	2
FORK-SHIFT (Ref # 13140A)	13140-1046	1
SWITCH,NEUTRAL (Ref # 13151)	13151-5003	1
DRUM-ASSY-CHANGE (Ref # 13239)	13239-1107	1
DRUM-ASSY-CHANGE (Ref # 13239A)	13239-1107	11
PLATE-POSITION (Ref # 14014)	14014-1015	1
ROD-SHIFT (Ref # 49047)	49047-1019	1
ROD-SHIFT (Ref # 49047A)	49047-1014	1
PIN GEAR CHANGE DRUM (Ref # 92043)	92042-014	10
PIN-CHANGE DRUM (Ref # 92043A)	92042-020	2
BEARING-BALL,6806 (Ref # 92045)	92045-1035	2
BOLT-UPSET,6X16 (Ref # 110)	112G0616	2
SCREW-CSK-CROS,6X45 (Ref # 221)	221B0645	2
CIRCLIP 12MM (Ref # 480)	480J1200	1
PIN DOWEL 4X10 (Ref # 610)	610A0410	2