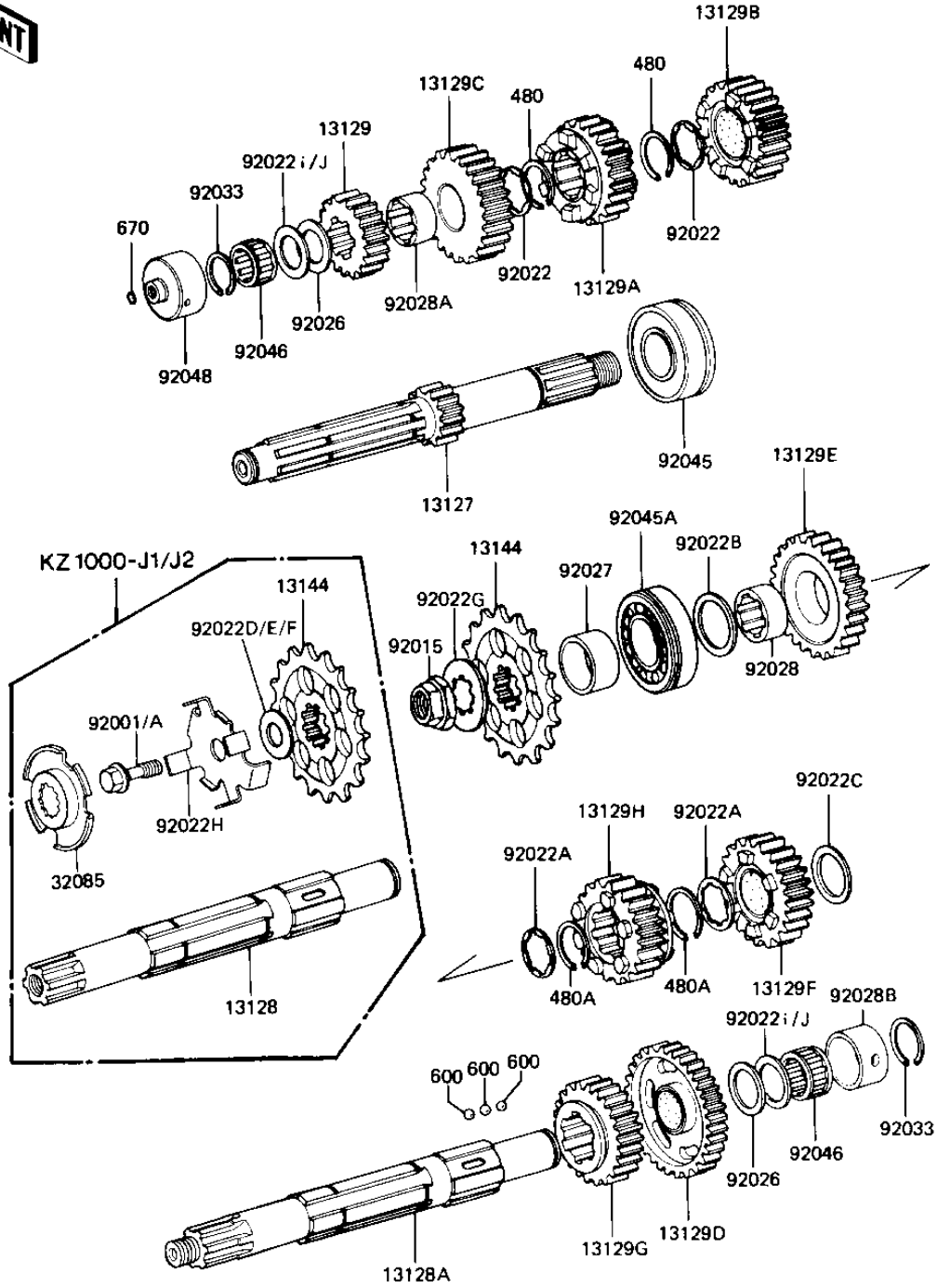


1982 KZ1000-J2 PARTS DIAGRAM

TRANSMISSION



1982 KZ1000-J2 PARTS LIST

TRANSMISSION

| ITEM NAME | PART NUMBER | QUANTITY |
|---|-------------|----------|
| SHAFT-TRANSMISSION IN (Ref # 1312) | 13127-1034 | 1 |
| SHAFT-TRANSMISSION OU (Ref # 13128) | 13128-1030 | 1 |
| INPUT 2ND,18T (Ref # 13129) | 13129-1235 | 1 |
| INPUT 3RD,21T (Ref # 13129A) | 13129-1236 | 1 |
| INPUT 4TH,23T (Ref # 13129B) | 13129-1237 | 1 |
| INPUT TOP,25T (Ref # 13129C) | 13129-1238 | 1 |
| OUTPUT LOW,37T (Ref # 13129D) | 13129-1239 | 1 |
| OUTPUT 2ND,33T (Ref # 13129E) | 13129-1240 | 1 |
| OUTPUT 3RD,30T (Ref # 13129F) | 13129-1241 | 1 |
| OUTPUT 4TH,27T (Ref # 13129G) | 13129-1242 | 1 |
| OUTPUT TOP,26T (Ref # 13129H) | 13129-1243 | 1 |
| SPROCKET-OUTPUT,15T (Ref # 13144) | 13144-1042 | 1 |
| STOPPER,ENGN SPROCKET (Ref # 32085) | 32085-1101 | 1 |
| BOLT,FLANGED,10X39 (Ref # 92001A) | 92001-1479 | 1 |
| WASHER,LOCK (O.D=35) (Ref # 92022) | 92022-1077 | 2 |
| WASHER,LOCK,30X42X1.4 (Ref # 92022A) | 92022-1218 | 2 |
| WASHER,28.3X42X2.9 (Ref # 92022B) | 92022-1219 | 1 |
| WASHER,32.3X42X3 (Ref # 92022C) | 92022-1220 | 1 |
| WASHER,12.3X38X2.3 (Ref # 92022E) | 92022-1274 | 1 |
| WASHER,SPRCKT STOPPER (Ref # 92022H) | 92022-1351 | 1 |
| WASHER,PLAIN,22MM (Ref # 92022I) | 92022-212 | 2 |
| WASHER,PLAIN,22MM (Ref # 92022J) | 92022-213 | AR |
| UNAVAILABLE IN PRICE BOOK (Ref # 92026) | 92026-1626 | 2 |
| COLLAR (Ref # 92027) | 92027-1339 | 1 |
| BUSHING,2ND GEAR (Ref # 92028) | 92028-1112 | 1 |
| BUSHING,TOP GEAR (Ref # 92028A) | 92028-1124 | 1 |
| BUSH,OUTPUT SHAFT (Ref # 92028B) | 92028-123 | 1 |
| CIRCLIP,25MM (Ref # 92033) | 92033-025 | 2 |
| BEARING,BALL,5305NSH2 (Ref # 92045) | 92045-1028 | 1 |

1982 KZ1000-J2 PARTS LIST

TRANSMISSION

| ITEM NAME | PART NUMBER | QUANTITY |
|---------------------------------------|-------------|----------|
| BEARING-BALL,63/28NC3 (Ref # 92045A) | 92045-1034 | 1 |
| BEARING,PK223013.8 (Ref # 92046) | 92046-031 | 2 |
| RACE,DRIVE SHAFT BRNG (Ref # 92048) | 92048-1012 | 1 |
| CIRCLIP 28MM (Ref # 480) | 480J2800 | 2 |
| CIRCRIP-TYPE-C (Ref # 480A) | 480J3200 | 2 |
| BALL STEEL 3/16' (Ref # 600) | 600A0600 | 3 |
| UNAVAILABLE IN PRICE BOOK (Ref # 670) | 67081508 | 1 |