

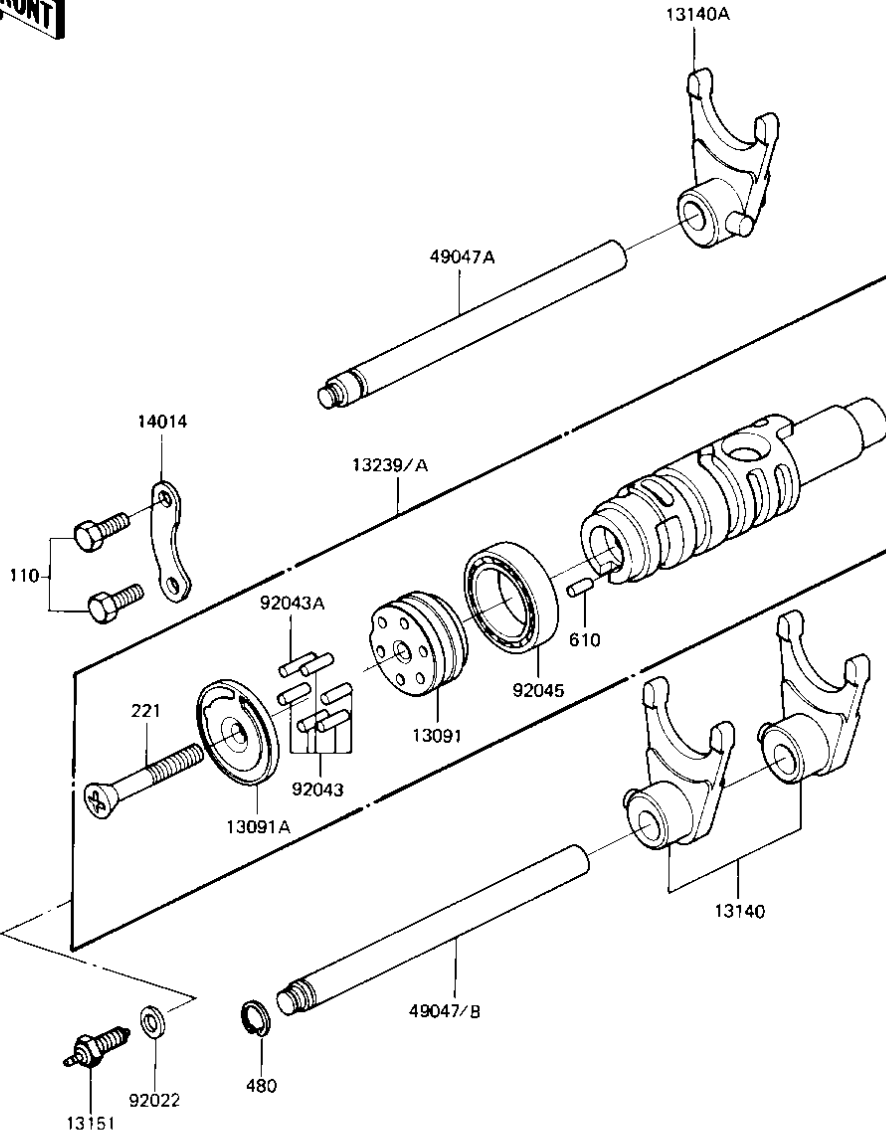
# 1981 KZ1000-J1 PARTS DIAGRAM

GEAR CHANGE DRUM & FORKS

*This catalog covers:*  
**'81-'83 KZ1000-J1/J2/J3 Engine**

GRID NO.

**B-14**



Re  
N

- 1309
- 1309
- 1314
- 1314
- 1315
- 1323
- 1323
- 1401
- 4904
- 4904
- 4904
- 9204
- 9204
- 9204
- 11
- 22
- 48
- 61

# 1981 KZ1000-J1 PARTS LIST

## GEAR CHANGE DRUM & FORKS

| ITEM NAME                           | PART NUMBER | QUANTITY |
|-------------------------------------|-------------|----------|
| HOLDER,CHANGE DRUM PI (Ref # 13091) | 13091-1087  | 1        |
| HOLDER (Ref # 13091A)               | 13091-1086  | 1        |
| FORK-SHIFT (Ref # 13140)            | 13140-1045  | 2        |
| FORK-SHIFT (Ref # 13140A)           | 13140-1046  | 1        |
| SWITCH,NEUTRAL (Ref # 13151)        | 13151-5003  | 1        |
| DRUM-ASSY-CHANGE (Ref # 13239)      | 13239-1107  | 1        |
| DRUM-ASSY-CHANGE (Ref # 13239A)     | 13239-1107  | 1        |
| PLATE-POSITION (Ref # 14014)        | 14014-1015  | 1        |
| ROD-SHIFT (Ref # 49047)             | 49047-1019  | 1        |
| ROD-SHIFT (Ref # 49047A)            | 49047-1014  | 1        |
| ROD-SHIFT (Ref # 49047B)            | 49047-1019  | 1        |
| PIN GEAR CHANGE DRUM (Ref # 92043)  | 92042-014   | 5        |
| PIN-CHANGE DRUM (Ref # 92043A)      | 92042-020   | 1        |
| BEARING-BALL,6806 (Ref # 92045)     | 92045-1035  | 1        |
| BOLT-UPSET,6X16 (Ref # 110)         | 112G0616    | 2        |
| SCREW-CSK-CROS,6X45 (Ref # 221)     | 221B0645    | 1        |
| CIRCLIP 12MM (Ref # 480)            | 480J1200    | 1        |
| PIN DOWEL 4X10 (Ref # 610)          | 610A0410    | 1        |