

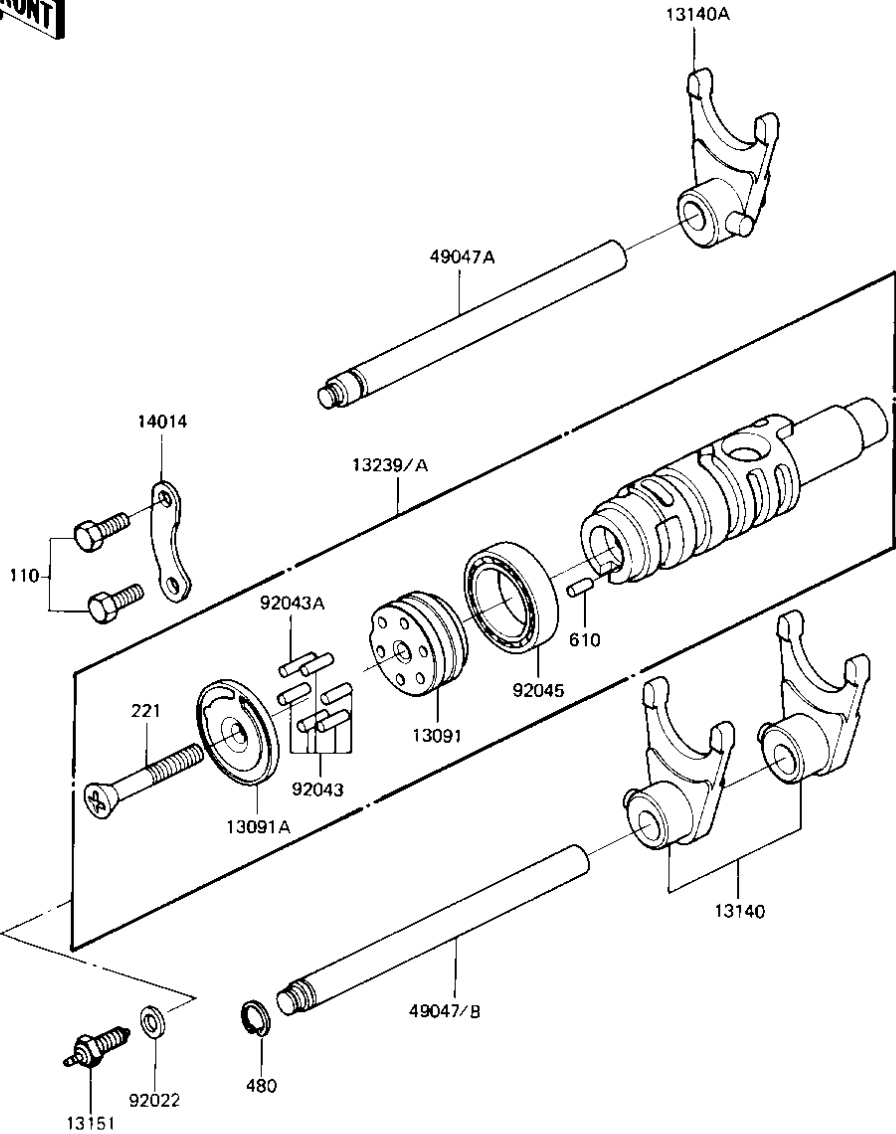
1982 KZ1000-J2 PARTS DIAGRAM

GEAR CHANGE DRUM & FORKS

This catalog covers:
'81-'83 KZ1000-J1/J2/J3 Engine

GRID NO.

B-14



Re
N

1309
1309
1314
1314
1315

1323

1323

1401
4904

4904
4904

9204
9204

9204
11
22
48
61

1982 KZ1000-J2 PARTS LIST

GEAR CHANGE DRUM & FORKS

ITEM NAME	PART NUMBER	QUANTITY
HOLDER,CHANGE DRUM PI (Ref # 13091)	13091-1087	1
HOLDER (Ref # 13091A)	13091-1086	1
FORK-SHIFT (Ref # 13140)	13140-1045	2
FORK-SHIFT (Ref # 13140A)	13140-1046	1
SWITCH,NEUTRAL (Ref # 13151)	13151-5003	1
DRUM-ASSY-CHANGE (Ref # 13239A)	13239-1107	1
PLATE-POSITION (Ref # 14014)	14014-1015	1
ROD-SHIFT (Ref # 49047)	49047-1019	1
ROD-SHIFT (Ref # 49047A)	49047-1014	1
ROD-SHIFT (Ref # 49047B)	49047-1019	1
PIN GEAR CHANGE DRUM (Ref # 92043)	92042-014	5
PIN-CHANGE DRUM (Ref # 92043A)	92042-020	1
BEARING-BALL,6806 (Ref # 92045)	92045-1035	1
BOLT-UPSET,6X16 (Ref # 110)	112G0616	2
SCREW-CSK-CROS,6X45 (Ref # 221)	221B0645	1
CIRCLIP 12MM (Ref # 480)	480J1200	1
PIN DOWEL 4X10 (Ref # 610)	610A0410	1