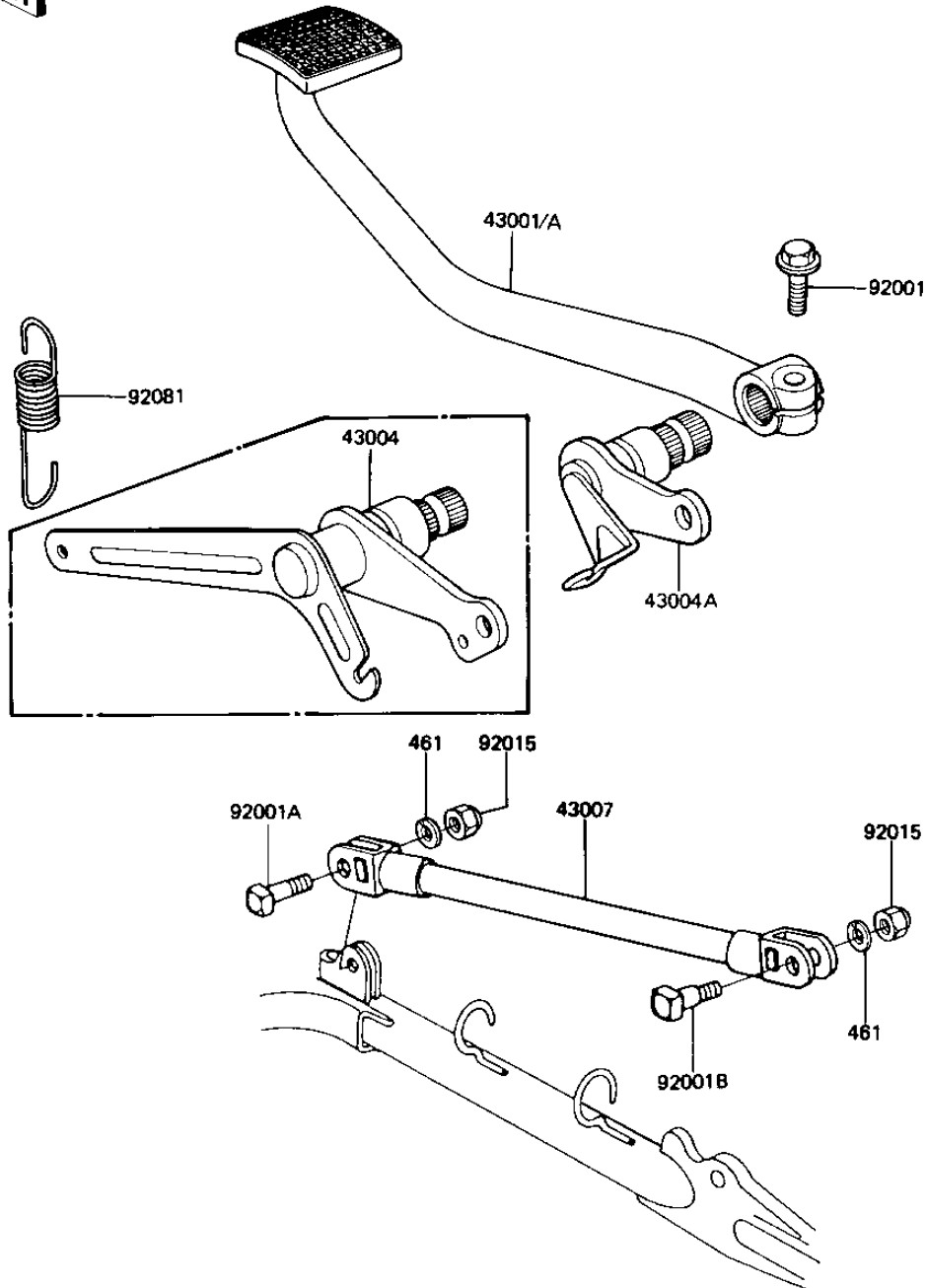


# 1982 KZ1000-J2 PARTS DIAGRAM

## BRAKE PEDAL/TORQUE LINK

F2260-0095



## 1982 KZ1000-J2 PARTS LIST

### BRAKE PEDAL/TORQUE LINK

ITEM NAME	PART NUMBER	QUANTITY
LEVER-BRAKE (Ref # 43001)	43001-1057	1
SHAFT-BRAKE (Ref # 43004)	43004-1025	1
TORQUE ROD,REAR BRAKE (Ref # 43007)	43007-1015	1
BOLT-FLANGED,8X25 (Ref # 92001)	130G0825	1
BOLT,TORQUE ROD FRONT (Ref # 92001A)	92001-1208	1
BOLT,SQUARE HEAD (Ref # 92001B)	92001-1307	1
NUT,10MM (Ref # 92015)	92015-1429	2
SPRING (Ref # 92081)	92081-1296	1
WASHER SPRING 10MM (Ref # 461)	461F1000	2