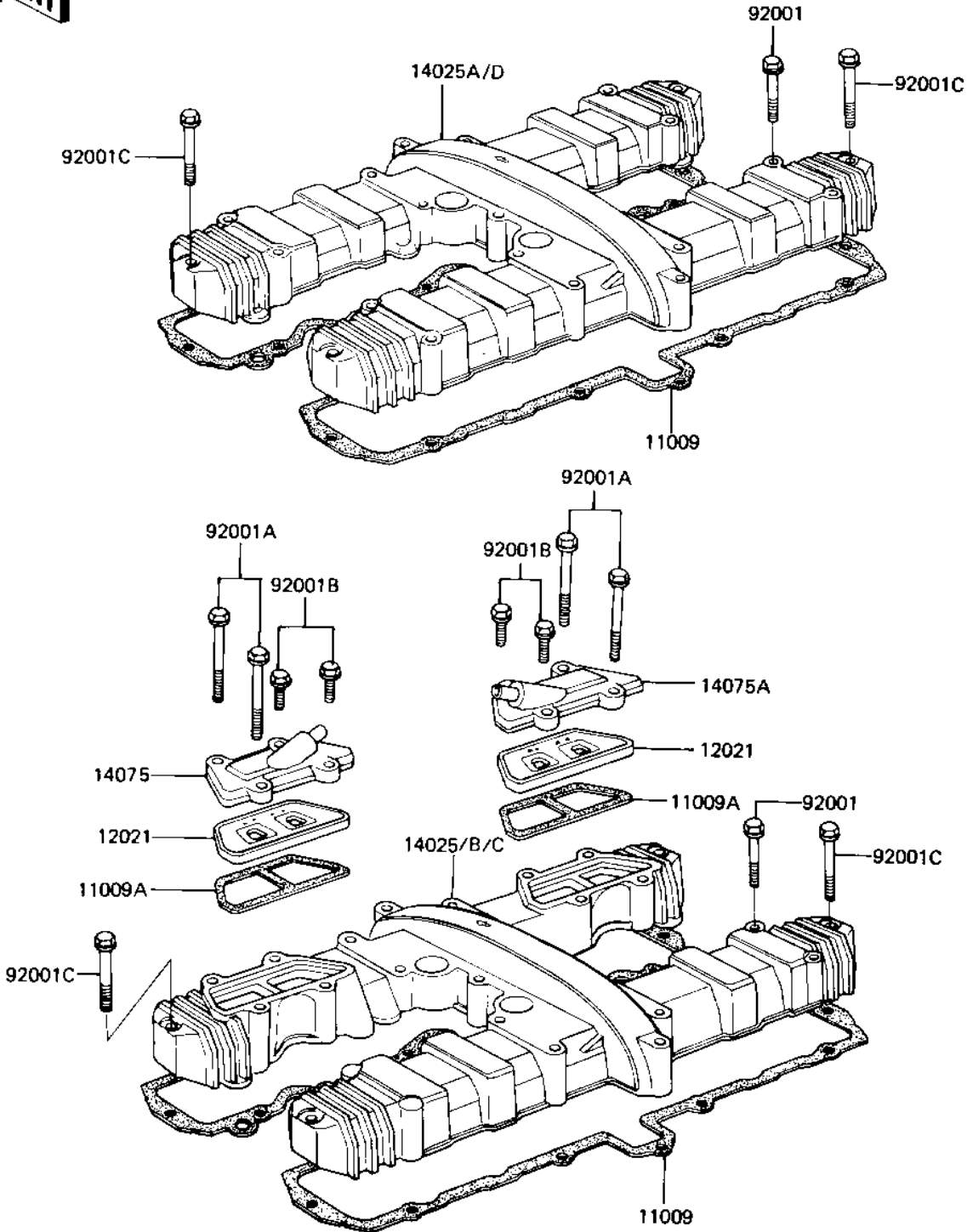


# 1982 Shaft PARTS DIAGRAM

CYLINDER HEAD COVER

E1112-0048



# 1982 Shaft PARTS LIST

## CYLINDER HEAD COVER

| ITEM NAME                                     | PART NUMBER | QUANTITY |
|---|-------------|----------|
| GASKET,CYLINDER HEAD (Ref # 11009)            | 11009-1205  | 1        |
| GASKET,REED VALVE (Ref # 11009A)              | 11060-1066  | 2        |
| VALVE-ASSY-REED (Ref # 12021)                 | 12021-1008  | 2        |
| COVER,CYLINDER HEAD,S (Ref # 14025)           | 14025-1465  | 1        |
| 14025-1466 (Canada) (Ref # 14025A)            | 14025-1255  | 1        |
| COVER,CYLINDER HEAD,S (Ref # 14025C)          | 14025-1465  | 1        |
| COVER,CYLINDER HEAD,SILVE (Can (Ref # 14025D) | 14025-1466  | 1        |
| CAP-ASSY,REED VALVE,L (Ref # 14075)           | 14075-5018  | 1        |
| CAP-ASSY,REED VALVE,R (Ref # 14075A)          | 14075-5019  | 1        |
| BOLT,FLANGED,6X45 (Ref # 92001)               | 92001-1350  | 16       |
| BOLT,FLANGED,6X45 (Ref # 92001)               | 92001-1350  | 20       |
| BOLT,FLANGED,6X70 (Ref # 92001A)              | 92001-1351  | 4        |
| BOLT,FLANGED,6X22 (Ref # 92001B)              | 92001-1352  | 4        |
| BOLT,FLANGED,6X52 (Ref # 92001C)              | 92001-1353  | 4        |