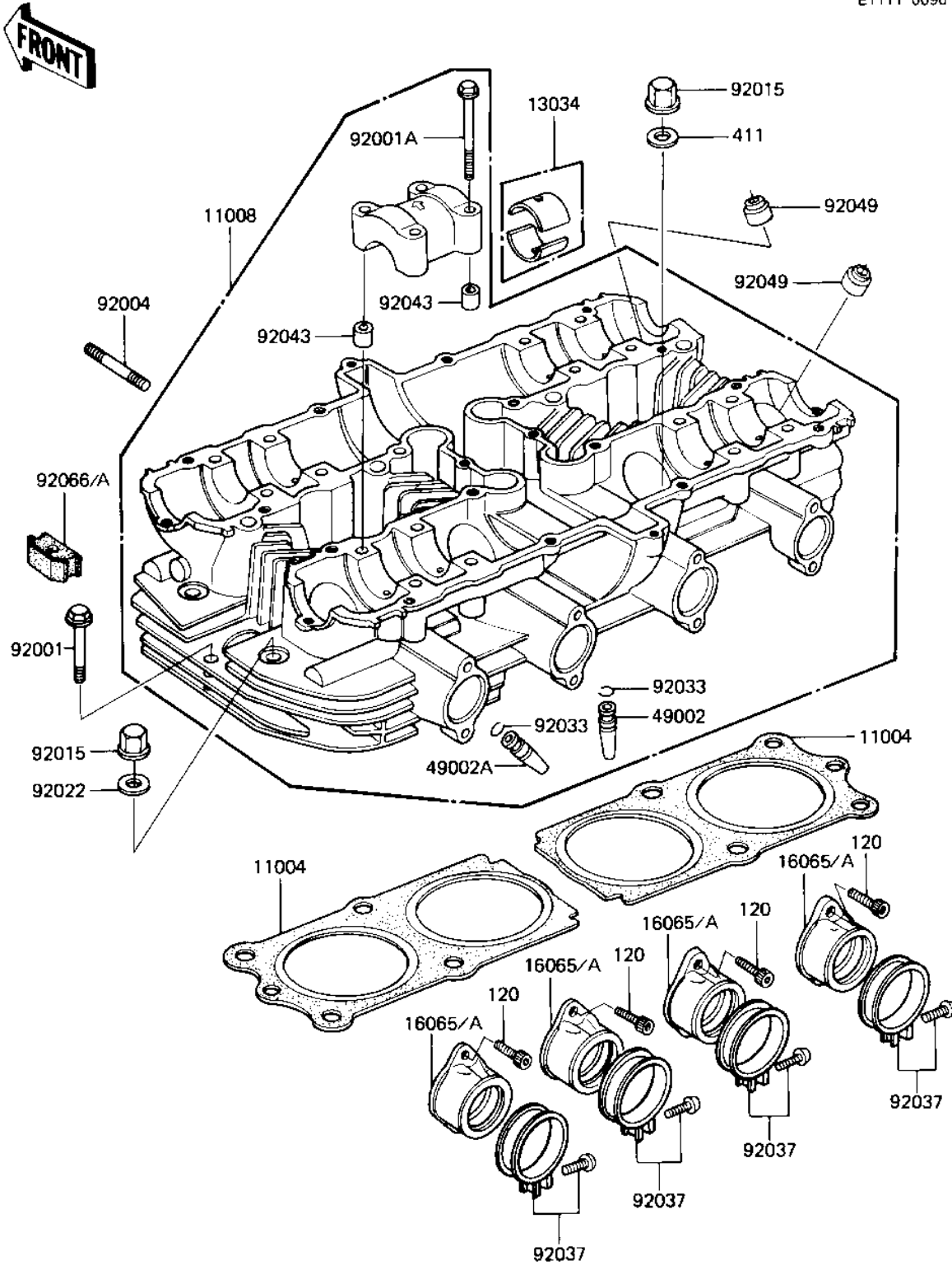


1981 Shaft PARTS DIAGRAM

CYLINDER HEAD

E1111-0096



1981 Shaft PARTS LIST

CYLINDER HEAD

| ITEM NAME | PART NUMBER | QUANTITY |
|-------------------------------------|-------------|----------|
| GASKET-HEAD,CYLINDER (Ref # 11004) | 11004-1105 | 2 |
| HEAD-COMP-CYLINDER,WH (Ref # 11008) | 11008-1013 | 1 |
| BUSHING,CAMSHAFT (Ref # 13034) | 13034-030 | 16 |
| HOLDER-CARBURETOR (Ref # 16065) | 16065-1135 | 4 |
| GUIDE,INLET VALVE (Ref # 49002) | 12013-009 | 4 |
| GUIDE,EXHAUST VALVE (Ref # 49002A) | 49002-1002 | 4 |
| BOLT,HEX HEAD,6X45 (Ref # 92001) | 92003-092 | 2 |
| BOLT,6X43 (Ref # 92001A) | 92002-1881 | 16 |
| STUD,8X30 (Ref # 92004) | 92004-1069 | 8 |
| NUT,CYLINDER HEAD (Ref # 92015) | 92015-076 | 12 |
| WASHER,10.5X22X1.6 (Ref # 92022) | 92022-1005 | 4 |
| CIRCLIP-VALVE (Ref # 92033) | 92036-023 | 8 |
| CLAMP,ID=53,BLACK (Ref # 92037) | 92037-1304 | 4 |
| PIN-DOWEL (Ref # 92043) | 92042-007 | 8 |
| OIL SEAL,RV37129.5 (Ref # 92049) | 92049-016 | 8 |
| PLUG,CYLNDR HD COVER (Ref # 92066) | 92066-1106 | 4 |
| BOLT-SOCKET,6X16,BLAC (Ref # 120) | 120S0616 | 8 |
| WASHER PLAIN 10MM (Ref # 411) | 411B1000 | 8 |