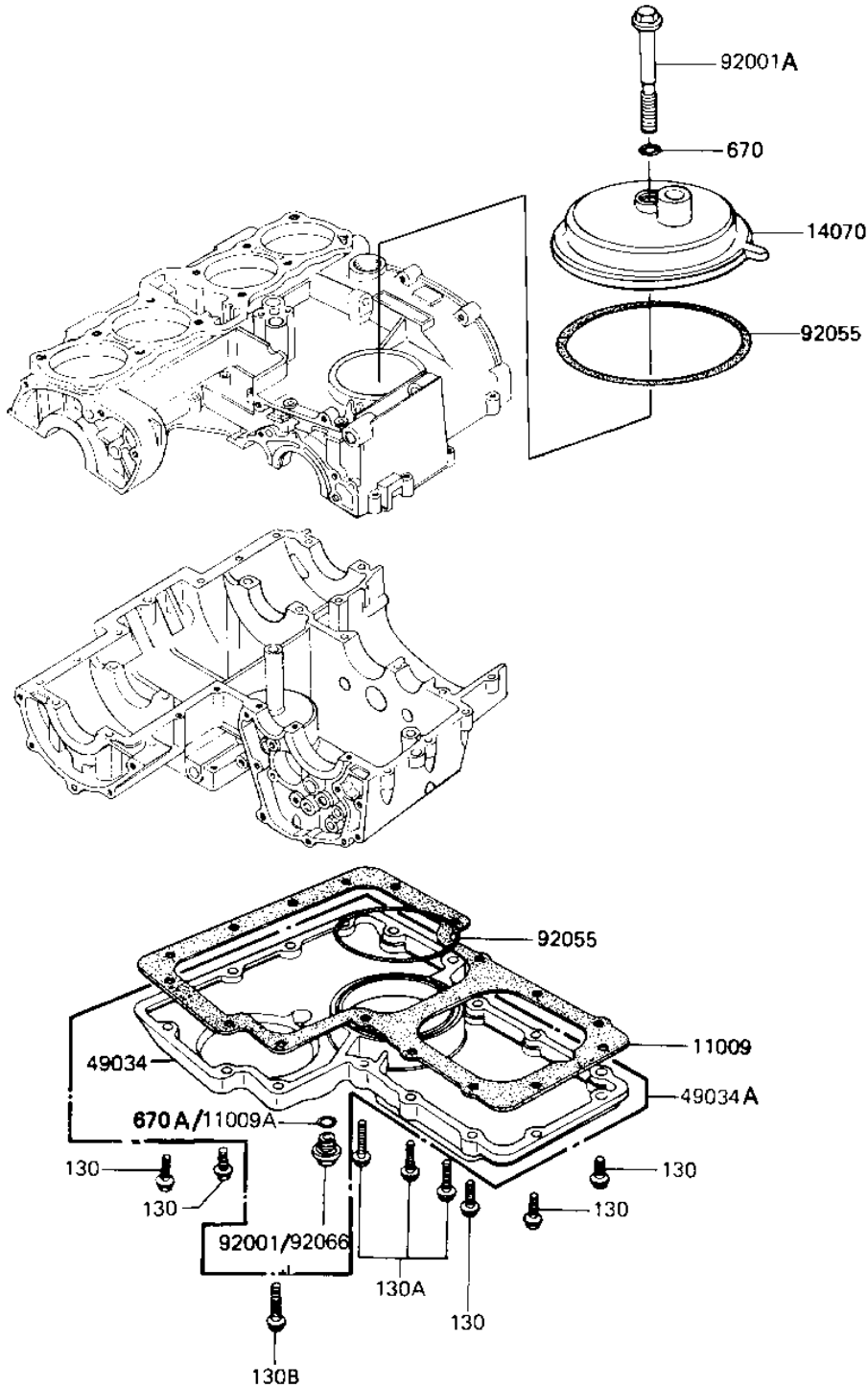


1981 Shaft PARTS DIAGRAM

BREATHER COVER/OIL PAN

E1432-0010



-
- 1
- 1
- 1
- 4
- 4
- 9
- 9
- 9
- 9

1981 Shaft PARTS LIST

BREATHER COVER/OIL PAN

| ITEM NAME | PART NUMBER | QUANTITY |
|------------------------------------|-------------|----------|
| GASKET,OIL PAN (Ref # 11009) | 11060-1074 | 1 |
| GASKET,DRIN PLUG (Ref # 11009A) | 92065-097 | 1 |
| BODY-BREATHER (Ref # 14070) | 14070-1008 | 1 |
| PAN-OIL (Ref # 49034) | 49034-5020 | 1 |
| PAN-OIL (Ref # 49034A) | 49034-5014 | 1 |
| PLUG,OIL DRAIN (Ref # 92001) | 92001-1183 | 1 |
| BOLT,HEX HEAD,8X72 (Ref # 92001A) | 92003-107 | 1 |
| "O" RING,91MM (Ref # 92055) | 92055-052 | 2 |
| PLUG,OIL DRAIN,12X15 (Ref # 92066) | 92066-1174 | 1 |
| BOLT,FLANGED,6X25 (Ref # 130) | 130G0625 | 13 |
| BOLT,FLANGED,6X35 (Ref # 130A) | 130H0635 | 3 |
| BOLT,FLANGED,6X45 (Ref # 130B) | 130G0645 | 1 |
| "O" RING,8MM (Ref # 670) | 670B1508 | 1 |
| "O" RING,22MM (Ref # 670A) | 670B2022 | 1 |