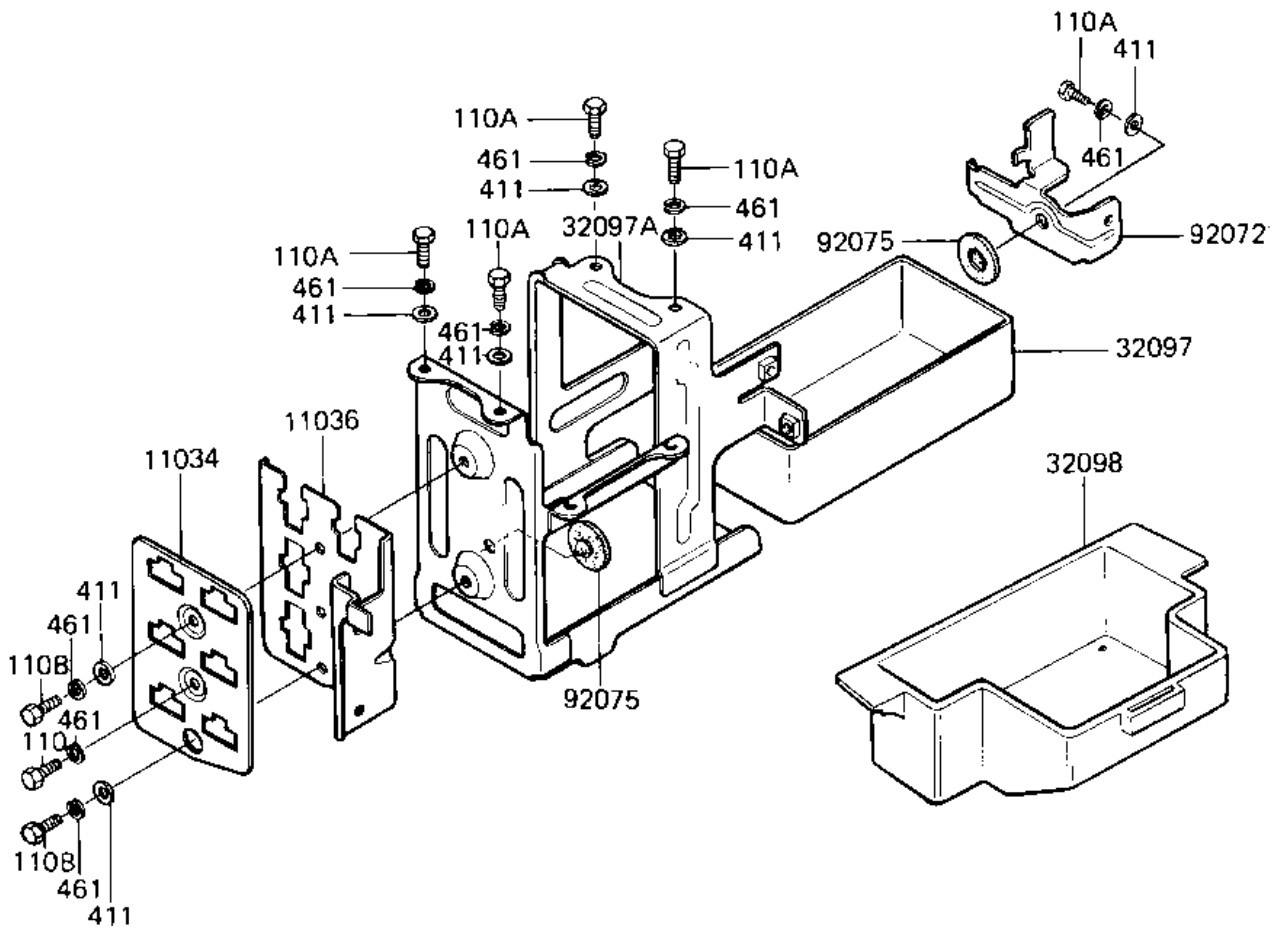


# 1983 Shaft PARTS DIAGRAM

BATTERY CASE/TOOL CASE



F2132-0025



# 1983 Shaft PARTS LIST

## BATTERY CASE/TOOL CASE

ITEM NAME	PART NUMBER	QUANTITY
BRACKET (Ref # 11034)	11034-1918	1
BRACKET-A,COUPLER (Ref # 11036)	11036-1783	1
CASE-BATTERY (Ref # 32097)	32097-1034	1
CASE-BATTERY (Ref # 32097A)	32097-1045	1
CASE-TOOL (Ref # 32098)	32098-1015	1
BAND,BATTERY CASE (Ref # 92072)	92072-1213	1
DAMPER RUBBER (Ref # 92075)	92075-078	2
BOLT,6X10 (Ref # 110)	112G0610	1
BOLT-UPSET 6X14 (Ref # 110A)	112B0614	5
BOLT 6X22 (Ref # 110B)	112B0622	2
WASHER PLAIN 6MM (Ref # 411)	411B0600	7
WASHER SPRING 6MM (Ref # 461)	461F0600	8