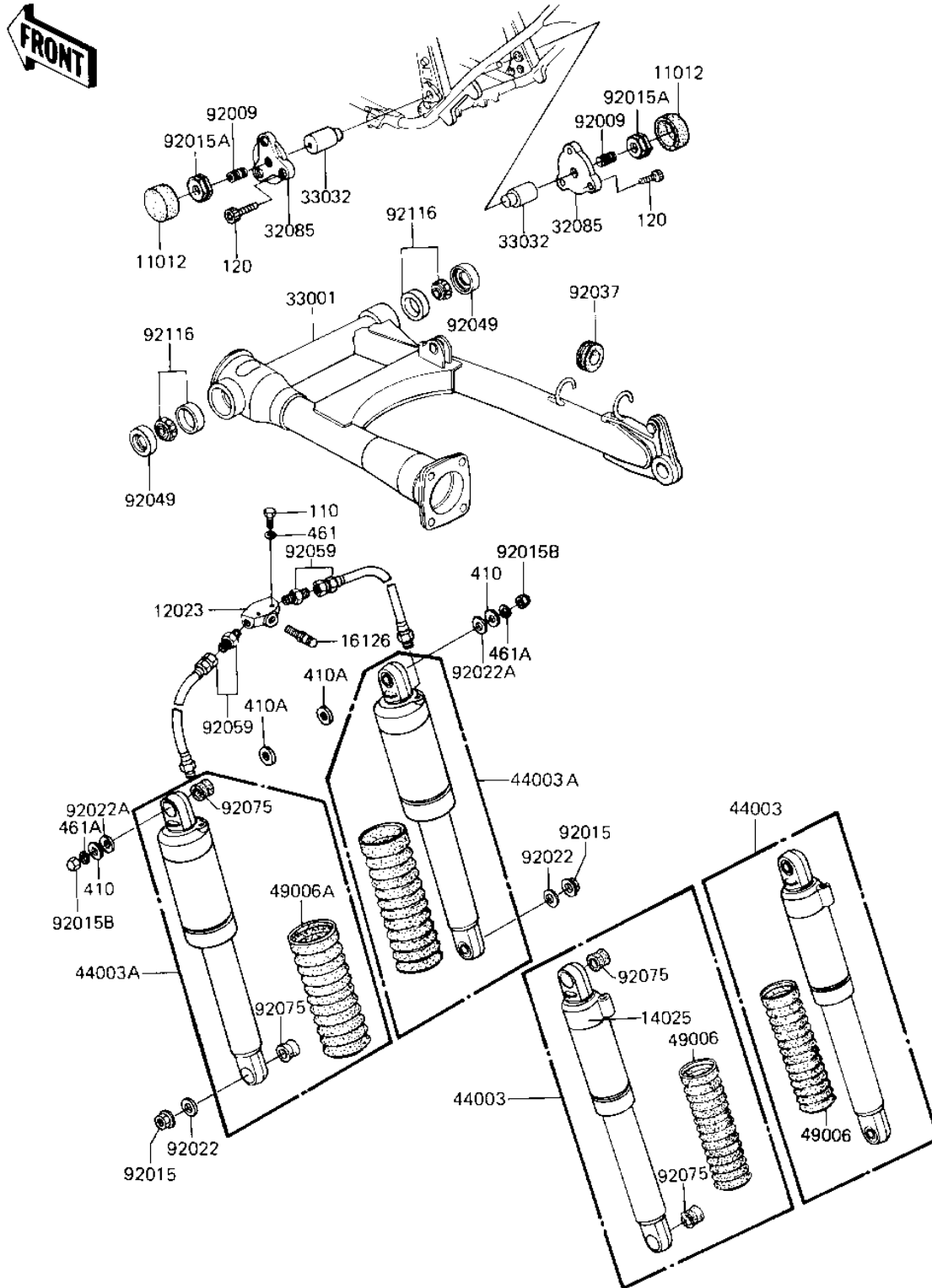


# 1983 Shaft PARTS DIAGRAM

SWING ARM/SHOCK ABSORBERS

F2140-0144



# 1983 Shaft PARTS LIST

## SWING ARM/SHOCK ABSORBERS

ITEM NAME	PART NUMBER	QUANTITY
CAP,SWING ARM (Ref # 11012)	11012-1069	2
HOLDER-VALVE,AIR (Ref # 12023)	12023-1012	1
VALVE AIR (Ref # 16126)	16126-1052	1
STOPPER,SWING ARM (Ref # 32085)	32085-1071	2
ARM-COMP-SWING (Ref # 33001)	33001-1102	1
SHAFT-SWING ARM (Ref # 33032)	33032-1021	2
SHOCKABSORBER,RR (Ref # 44003A)	44003-1400	2
BOOT,RR SHOCKABSORBER (Ref # 49006A)	49006-1077	2
SCREW,14X22 (Ref # 92009)	92009-1087	2
NUT,10MM (Ref # 92015)	92015-1415	2
NUT,14MM (Ref # 92015A)	92015-1135	2
NUT 12MM (Ref # 92015B)	92020-014	2
WASHER,10.5X30X2.3 (Ref # 92022)	92022-1193	2
WASHER,12.4X28X2.3 (Ref # 92022A)	92022-1239	2
DAMPER RUBBER (Ref # 92037)	43064-007	2
OIL SEAL,26406 (Ref # 92049)	92049-1030	2
TUBE,SHOCKABSORBER,RR (Ref # 92059)	92059-1194	2
BUSHING,SHOCK ABSORBE (Ref # 92075)	92075-1141	4
BRG,ROLLER,4T30203E1 (Ref # 92116)	92116-1001	2
BOLT-UPSET 6X14 (Ref # 110)	112B0614	2
BOLT-SOCKET,8X20 (Ref # 120)	120S0820	6
WASHER PLAIN 12MM (Ref # 410)	410B1200	2
WASHER PLAIN 14MM (Ref # 410A)	410B1400	2
WASHER SPRING 6MM (Ref # 461)	461F0600	2
WASHER SPRING 12MM (Ref # 461A)	461F1200	2