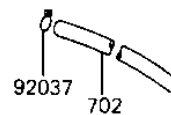
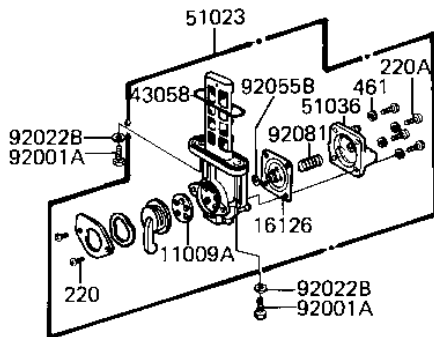
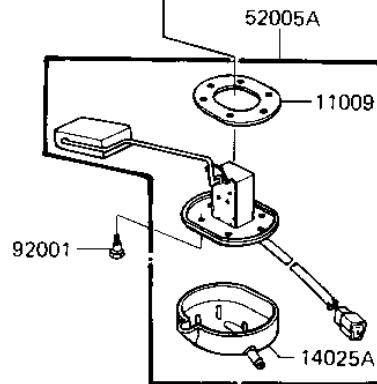
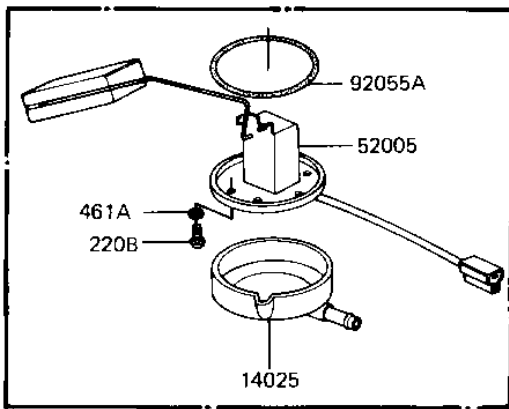
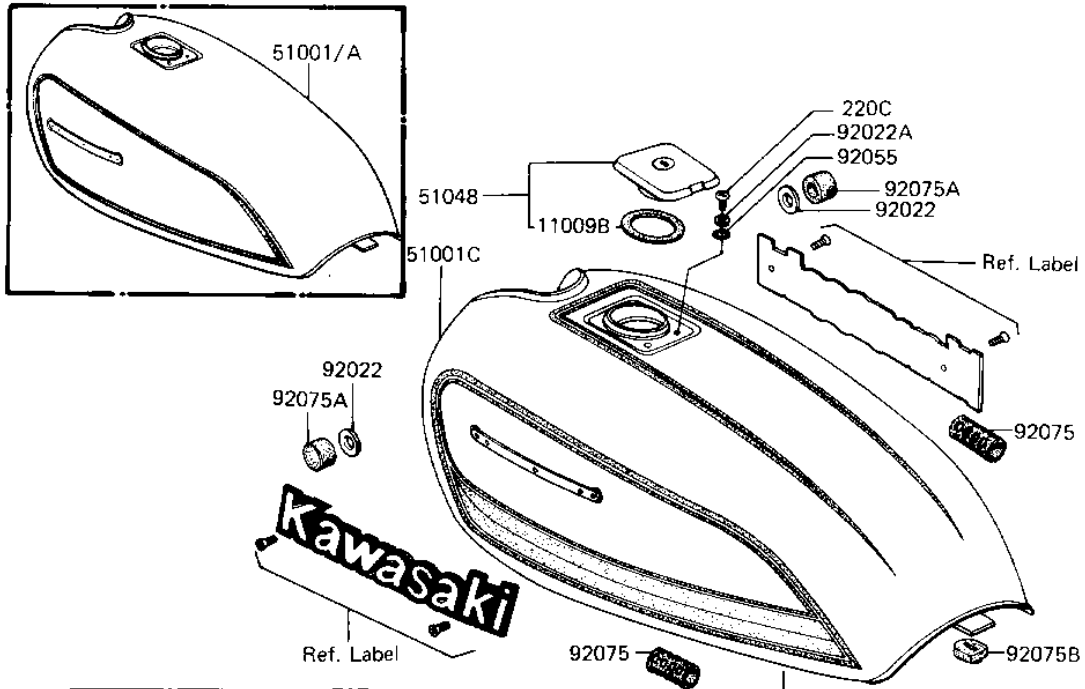


# 1981 Shaft PARTS DIAGRAM

FUEL TANK



F2410-0135



# 1981 Shaft PARTS LIST

## FUEL TANK

| ITEM NAME                               | PART NUMBER   | QUANTITY |
|---|---------------|----------|
| GASKET,FUEL TAP (Ref # 11009A)          | 11009-1044    | 1        |
| GASKET,FUEL TANK CAP (Ref # 11009B)     | 11009-1051    | 1        |
| COVER,FUEL GAGE (Ref # 14025)           | 14025-1091    | 1        |
| UNAVAILABLE IN PRICE BOOK (Ref # 16126) | 16126-103B    | 1        |
| "0" RING (Ref # 43058)                  | 43058-1001    | 1        |
| TANK-FUEL,BLUE (Ref # 51001)            | 51001-1059-A8 | 1        |
| TAP-ASSY,FUEL (Ref # 51023)             | 51023-1174    | 1        |
| COVER ASSY,FUEL TAP (Ref # 51036)       | 51036-1001    | 1        |
| CAP ASSY TANK (Ref # 51048)             | 51048-1018    | 1        |
| GAUGE,FUEL (Ref # 52005)                | 52005-1018    | 1        |
| BOLT,6X20,FUEL TAP (Ref # 92001A)       | 92001-1091    | 2        |
| WASHER-PL-10.5X26X2.3 (Ref # 92022)     | 92022-044     | 2        |
| WASHER,PLAIN (Ref # 92022A)             | 92022-1038    | 2        |
| WASHER-PLAIN (Ref # 92022B)             | 92022-183     | 2        |
| CLAMP,CHAIN OILER (Ref # 92037)         | 92037-147     | 1        |
| "0" RING (Ref # 92055)                  | 92055-1023    | 2        |
| "0" RING (Ref # 92055A)                 | 92055-1067    | 1        |
| "0" RING,DIAPHRAGM (Ref # 92055B)       | 92055-1068    | 1        |
| DAMPER RUBBER (Ref # 92075)             | 92075-084     | 2        |
| DAMPER RUBBER,FL TANK (Ref # 92075A)    | 92075-125     | 2        |
| DAMPER RUBBER FUEL TA (Ref # 92075B)    | 92075-295     | 1        |
| SPRING,DIAPHRAGM (Ref # 92081)          | 92081-1054    | 1        |
| SCREW PAN HEAD 4X8 (Ref # 220)          | 220B0408      | 2        |
| SCREW-PAN-CRSOSS,4X12 (Ref # 220A)      | 220B0412      | 4        |
| SCREW PAN HEAD 5X8 (Ref # 220B)         | 220B0508      | 5        |
| SCREW PAN HEAD 5X10 (Ref # 220C)        | 220B0510      | 2        |
| WASHER SPRING 4MM (Ref # 461)           | 461F0400      | 4        |
| WASHER SPRING 5MM (Ref # 461A)          | 461F0500      | 5        |
| TUBE-BREATHER (BULK) (Ref # 702)        | 702A071000    | 1        |