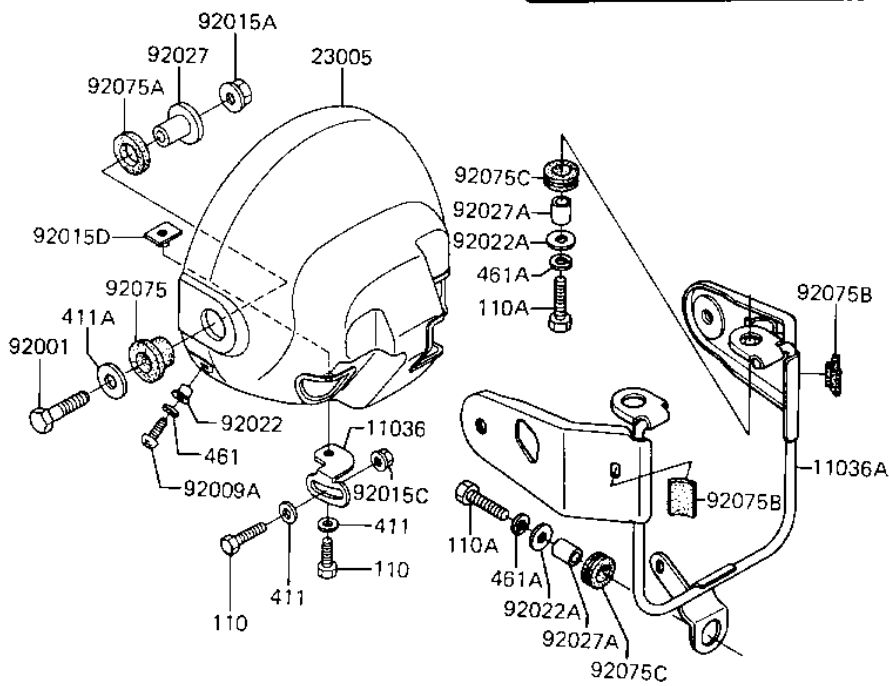
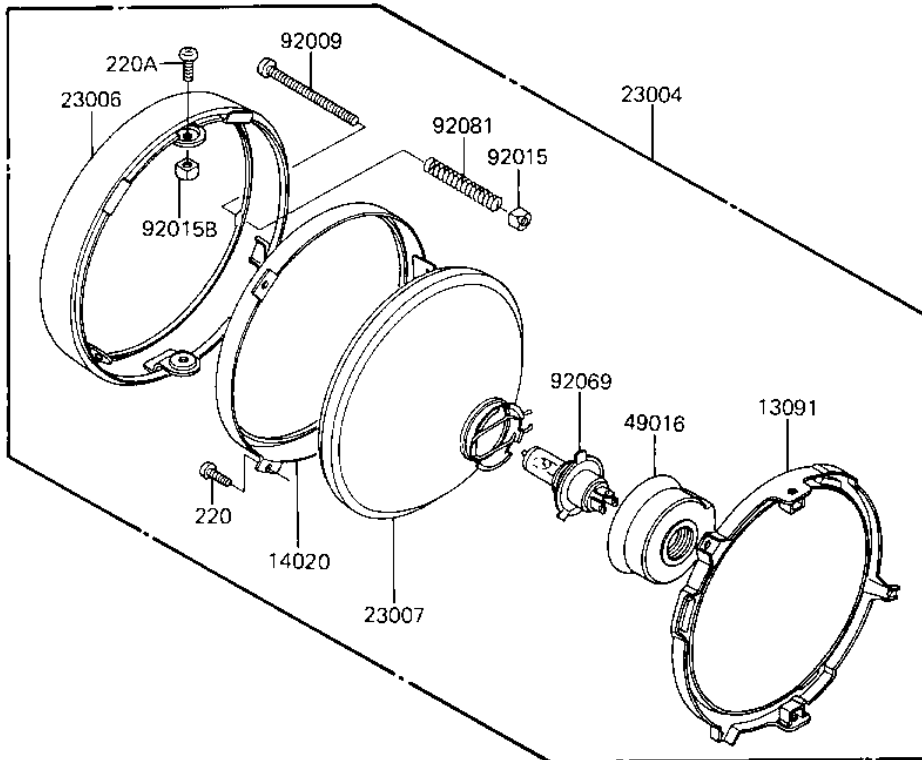


1983 Shaft PARTS DIAGRAM

HEADLIGHT (KZ1100-A3)



F2710-0147



1983 Shaft PARTS LIST

HEADLIGHT (KZ1100-A3)

| ITEM NAME | PART NUMBER | QUANTITY |
|--------------------------------------|---------------|----------|
| BRACKET-A,HEAD LAMP (Ref # 11036) | 11036-1649 | 1 |
| BRACKET-A,HEAD LAMP (Ref # 11036A) | 11036-1680 | 1 |
| HOLDER,HEAD LAMP (Ref # 13091) | 13091-1160 | 1 |
| RETAINER,HEAD LAMP (Ref # 14020) | 14020-1018 | 1 |
| LAMP-HEAD (Ref # 23004) | 23004-1087 | 1 |
| BODY-COMP-HEAD LAMP,B (Ref # 23005) | 23005-1026-21 | 1 |
| RIM-LAMP,CR PLATED (Ref # 23006) | 23006-1020 | 1 |
| LENS UNIT,HEAD LAMP (Ref # 23007) | 23007-1009 | 1 |
| DUST COVER (Ref # 49016) | 49016-1016 | 1 |
| BOLT 8X38 (Ref # 92001) | 92001-1405 | 2 |
| SCREW,FOCUS ADJU.4X52 (Ref # 92009) | 92009-1033 | 1 |
| SCREW-PAN HEAD,5MM (Ref # 92009A) | 92011-024 | 2 |
| NUT,4MM (Ref # 92015) | 23020-018 | 1 |
| NUT,8M/M (Ref # 92015A) | 92015-1014 | 2 |
| NUT,5MM (Ref # 92015B) | 92015-1157 | 2 |
| NUT-6MM (Ref # 92015C) | 92015-1078 | 1 |
| NUT-6MM,HEAD LAMP (Ref # 92015D) | 92015-1231 | 1 |
| WASHER (Ref # 92022) | 23021-010 | 2 |
| WASHER 6.5X20X1.6T (Ref # 92022A) | 92022-125 | 3 |
| COLLAR,HEAD LAMP FITT (Ref # 92027) | 92027-1131 | 2 |
| COLLAR,REAR FENDER (Ref # 92027A) | 92027-162 | 3 |
| BULB,12V-60/55W (Ref # 92069) | 92069-1002 | 1 |
| DAMPER,HEAD LAMP FITT (Ref # 92075) | 92075-1109 | 2 |
| DAMPER,HEAD LAMP FITT (Ref # 92075A) | 92075-1110 | 2 |
| DAMPER RUBBER (Ref # 92075B) | 92075-1243 | 2 |
| DAMPER RUBBER,RR FENR (Ref # 92075C) | 92075-209 | 3 |
| SPRING FOCUS ADJUST (Ref # 92081) | 23014-005 | 1 |
| BOLT-UPSET 6X14 (Ref # 110) | 112B0614 | 2 |
| BOLT-UPSET (Ref # 110A) | 112G0625 | 3 |

1983 Shaft PARTS LIST

HEADLIGHT (KZ1100-A3)

| ITEM NAME | PART NUMBER | QUANTITY |
|----------------------------------|-------------|----------|
| SCREW PAN HEAD 3X8 (Ref # 220) | 220B0308 | 2 |
| SCREW PAN HEAD 5X10 (Ref # 220A) | 220B0510 | 2 |
| WASHER PLAIN 6MM (Ref # 411) | 411B0600 | 2 |
| WASHER,PLAIN,8MM (Ref # 411A) | 411D0800 | 2 |
| WASHER SPRING 5MM (Ref # 461) | 461F0500 | 2 |
| WASHER SPRING 6MM (Ref # 461A) | 461F0600 | 3 |