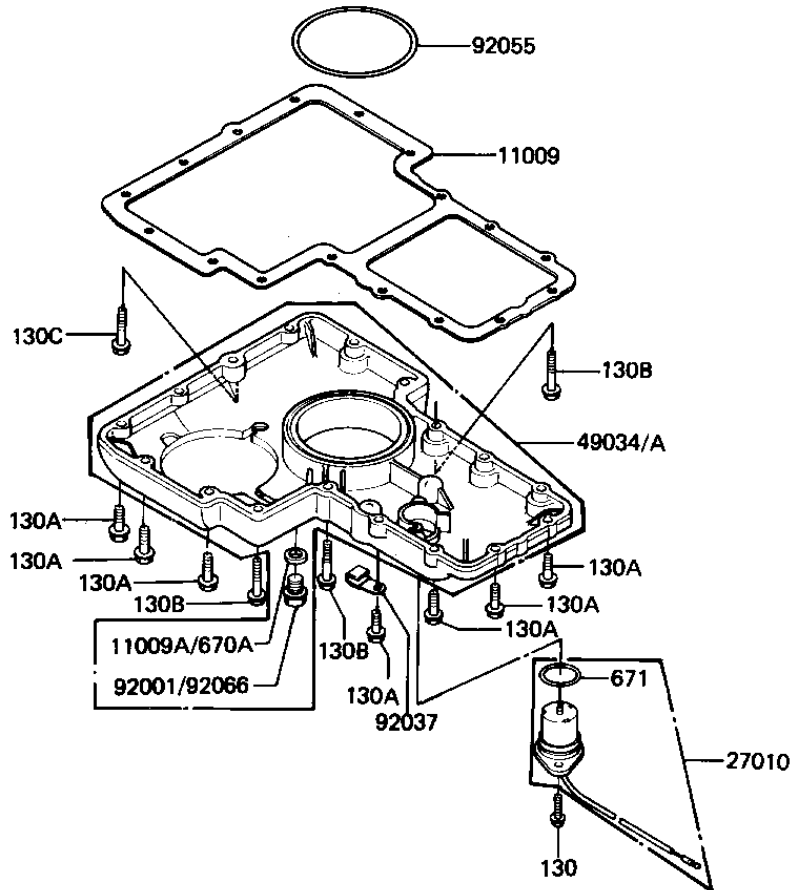
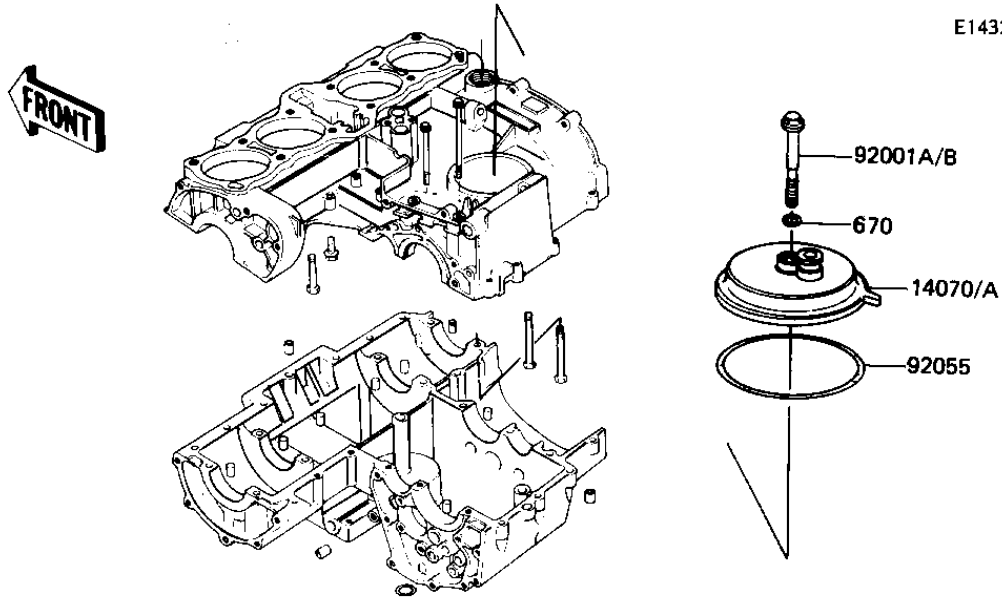


1982 GPz PARTS DIAGRAM

BREATHER COVER/OIL PAN



1982 GPz PARTS LIST

BREATHER COVER/OIL PAN

ITEM NAME	PART NUMBER	QUANTITY
GASKET,OIL PAN (Ref # 11009)	11060-1074	1
GASKET,DRIN PLUG (Ref # 11009A)	92065-097	1
BODY-BREATHER,BLACK (Ref # 14070A)	14070-1010	1
SWITCH,OIL LEVEL (Ref # 27010)	27010-1067	1
PAN-OIL,F.BLACK (Ref # 49034A)	49034-5013	1
BOLT,8X72,BLACK (Ref # 92001A)	92001-1526	1
CLAMP,WIRING HARNESS (Ref # 92037)	21126-008	1
"O" RING,91MM (Ref # 92055)	92055-052	2
PLUG,OIL DRAIN,12X15 (Ref # 92066)	92066-1174	1
BOLT-FLANGED,6X16 (Ref # 130)	130B0616	2
BOLT,FLANGED,6X25 (Ref # 130A)	130G0625	13
BOLT,FLANGED,6X35 (Ref # 130B)	130H0635	3
BOLT,FLANGED,6X45 (Ref # 130C)	130G0645	1
"O" RING,8MM (Ref # 670)	670B1508	1
O RING,25MM (Ref # 671)	671E2525	1