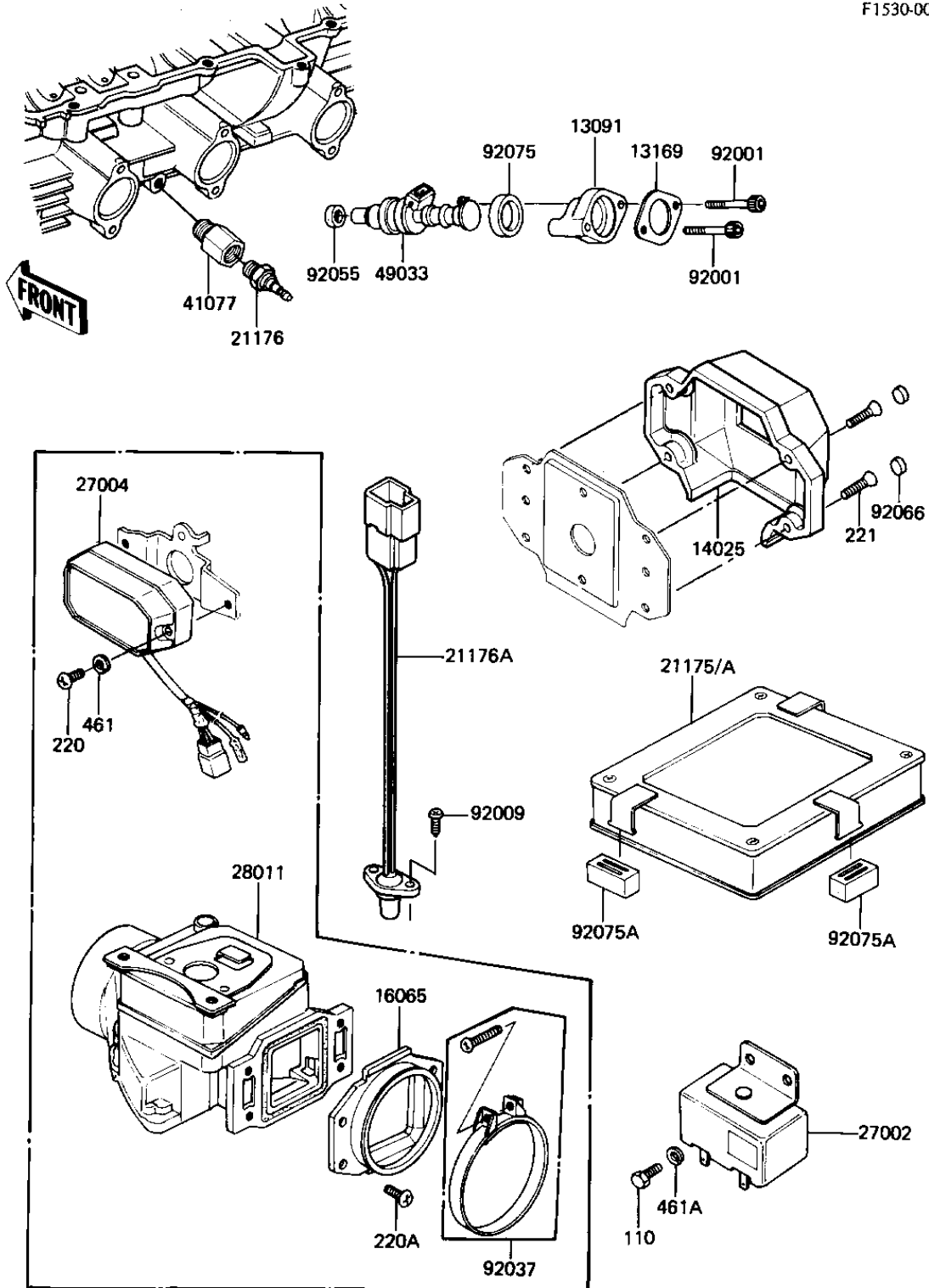


1982 GPz PARTS DIAGRAM

INJECTORS/ELECTRICAL EQUIPMENT

F1530-0002



1982 GPz PARTS LIST

INJECTORS/ELECTRICAL EQUIPMENT

ITEM NAME	PART NUMBER	QUANTITY
HOLDER,FUEL INJECTOR (Ref # 13091)	13091-1092	4
PLATE,FUEL INJECTOR,B (Ref # 13169)	13169-1434	4
COVER,THROTTLE SENSOR (Ref # 14025)	14025-1446	1
CONTROL UNIT-ELECTRON (Ref # 21175A)	21175-1004	1
SENSOR-TEMPERATURE (Ref # 21176)	21176-1002	1
SENSOR,AIR-TEMPERATUR (Ref # 21176A)	21176-1003	1
RELAY ASSY (Ref # 27002)	27002-1007	1
ADAPTER,SENSOR (Ref # 41077)	41077-1004	1
INJECTOR,FUEL (Ref # 49033)	49033-1001	4
BOLT-SOCKET (Ref # 92001)	120S0540	8
SCREW,TAPPING,3X12,BL (Ref # 92009)	92009-1028	2
INSULATOR,FUEL INJECT (Ref # 92055)	92055-1082	4
PLUG,THR SENSOR COVER (Ref # 92066)	92066-1107	4
INSULATOR,FUEL INJECT (Ref # 92075)	92075-1240	4
DAMPER,CONTROL UNIT (Ref # 92075A)	92075-1312	3
BOLT-UPSET,6X12 (Ref # 110)	112G0612	2
SCREW-CSK-CROS (Ref # 221)	221C0310	4
WASHER SPRING 6MM (Ref # 461A)	461F0600	2