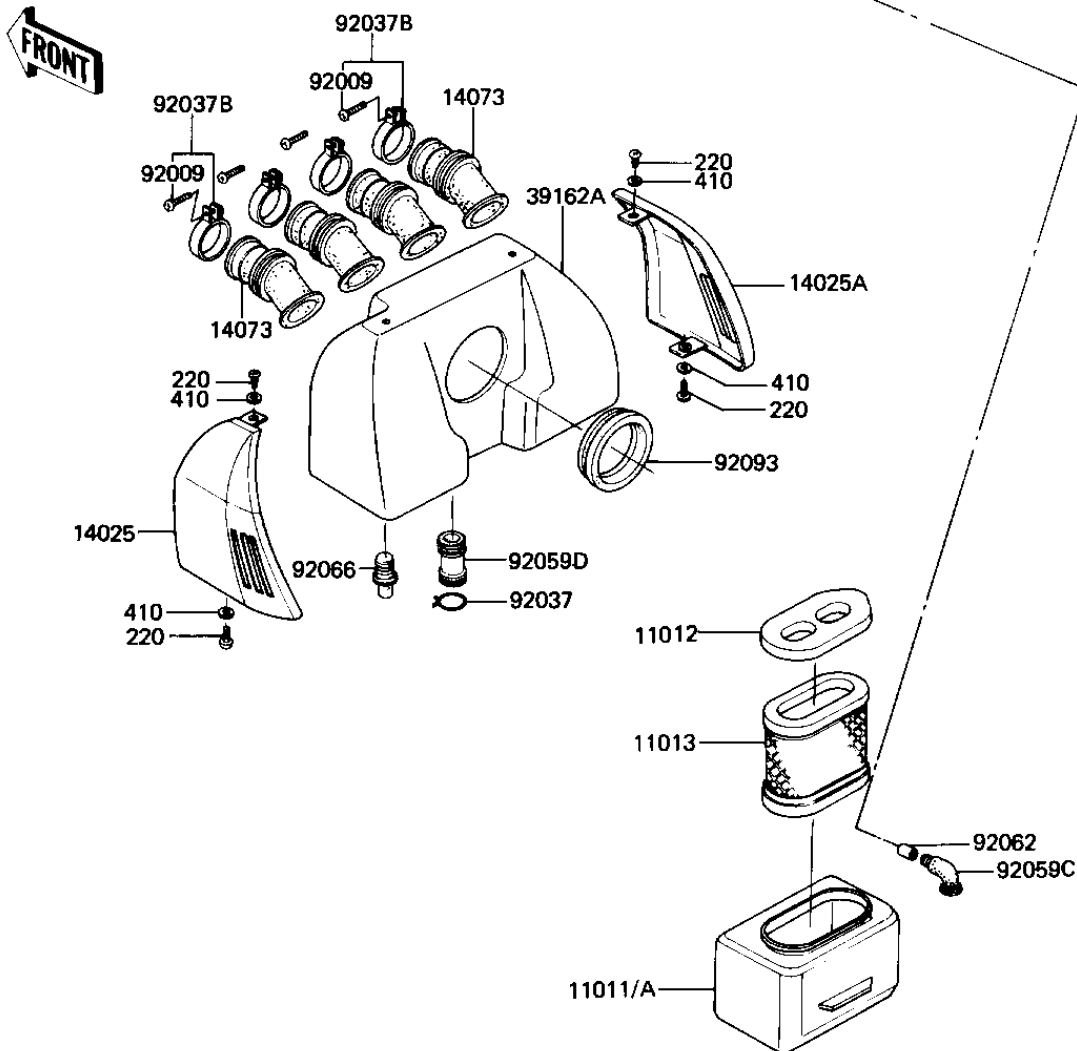
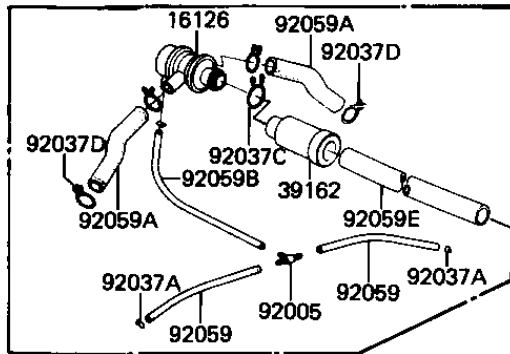


1982 GPz PARTS DIAGRAM

AIR CLEANER (KZ1100-B1)

E1130-0026



I

1982 GPz PARTS LIST

AIR CLEANER (KZ1100-B1)

ITEM NAME	PART NUMBER	QUANTITY
CASE-AIR FILTER (Ref # 11011)	11011-1070	1
CASE-AIR FILTER (Ref # 11011A)	11011-1074	1
CAP,AIR FILTER (Ref # 11012)	11012-1152	1
ELEMENT,AIR CLNR (Ref # 11013)	11013-1040	1
COVER,AIR FILTER,LH (Ref # 14025)	14025-1319	1
COVER,AIR FILTER,RH (Ref # 14025A)	14025-1320	1
DUCT,AIR FILTER (Ref # 14073)	14073-1054	4
VALVE ASSY,AIR SWITCH (Ref # 16126)	16126-1014	1
SILENCER (Ref # 39162)	39162-1003	1
SILENCER-INTAKE (Ref # 39162A)	39162-1004	1
FITTING,TUBE (Ref # 92005)	92005-1017	1
SCREW,PAN HEAD (Ref # 92009)	92011-037	4
CLAMP BREATHER PIPE (Ref # 92037)	92037-028	1
CLAMP-PIPE (Ref # 92037A)	92037-072	3
CLAMP,HOLDER (Ref # 92037B)	92037-077	4
CLAMP (Ref # 92037C)	92037-1076	1
CLAMP,BREATHER TUBE (Ref # 92037D)	92037-213	4
TUBE,4X9X110 (Ref # 92059)	92059-1131	2
TUBE,14X20X89 (Ref # 92059A)	92059-1155	2
TUBE,VACUUM,LONG (Ref # 92059B)	92059-1162	1
TUBE,AIR FILTER,BEND (Ref # 92059C)	92059-1163	1
TUBE,AIR FILTER BLEED (Ref # 92059D)	92059-1164	1
TUBE,AIR FILTER,L=510 (Ref # 92059E)	92059-1177	1
NOZZLE,AIR FILTER (Ref # 92062)	92062-1019	1
PLUG (Ref # 92066)	92066-1048	1
SEAL,INTAKE SILENCER (Ref # 92093)	92093-1055	1
SCREW PAN HEAD 5X8 (Ref # 220)	220B0508	4
WASHER PLAIN 5MM (Ref # 410)	410B0500	4