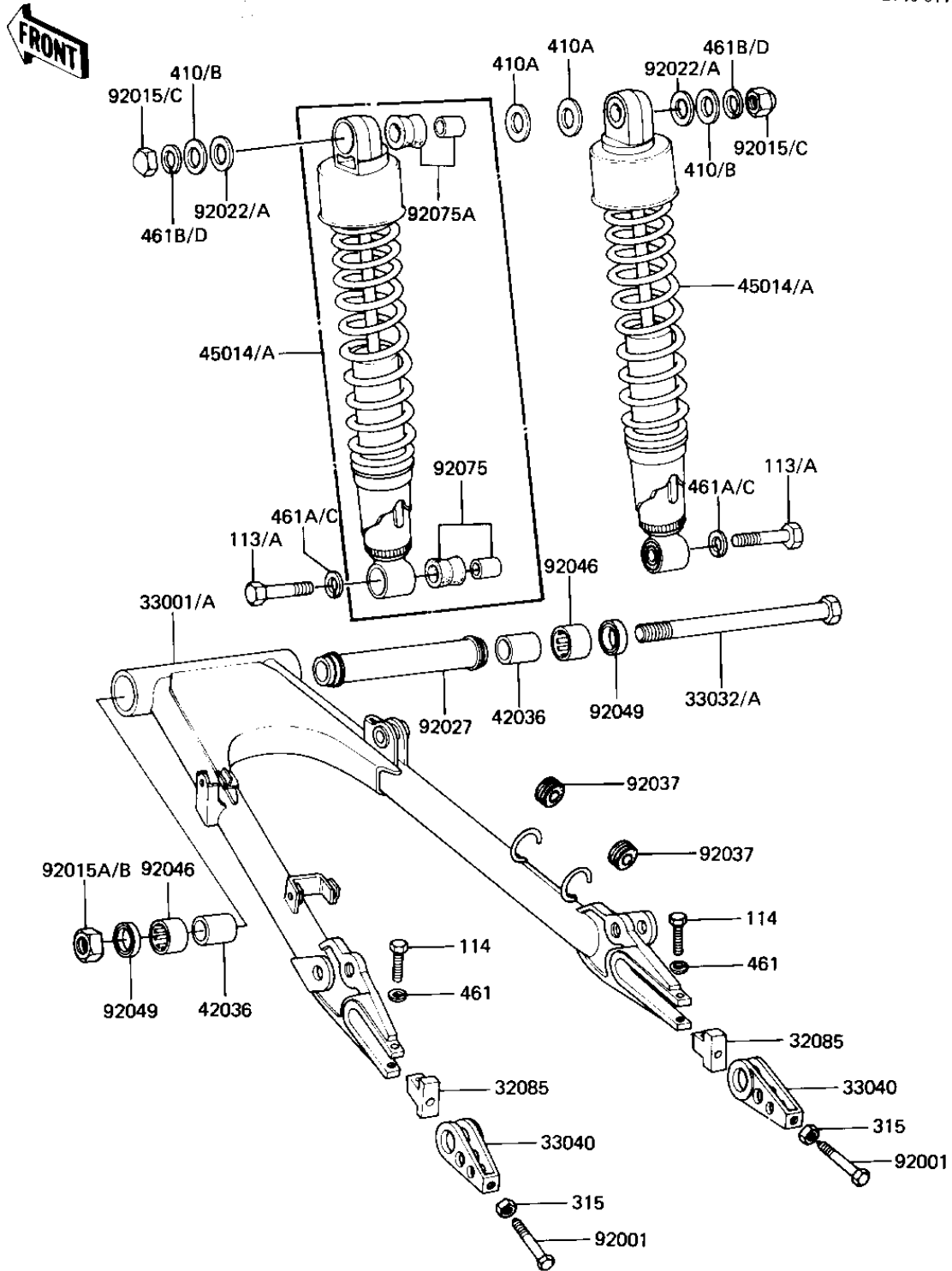


1982 GPz PARTS DIAGRAM

SWING ARM/SHOCK ABSORBERS

F2140-0113



1982 GPz PARTS LIST

SWING ARM/SHOCK ABSORBERS

ITEM NAME	PART NUMBER	QUANTITY
STOPPER,CHAIN ADJUST (Ref # 32085)	33044-001	2
ARM-COMP-SWING,BLACK (Ref # 33001A)	33001-1217	1
SHAFT-SWING ARM,BLACK (Ref # 33032A)	33032-1027	1
ADJUSTER,CHAIN (Ref # 33040)	33040-066	2
SLEEVE,SWING ARM (Ref # 42036)	42036-1040	2
SHOCKABSORBER,RR,BLAC (Ref # 45014A)	45014-1170-10	2
BOLT-CHN ADJUST 10MM (Ref # 92001)	92001-143	2
NUT,LOCK,CAP,12MM,BLA (Ref # 92015)	92015-1192	2
NUT,LOCK,16MM,BLACK (Ref # 92015A)	92015-1207	1
WASHER,12.4X28X2.3,BL (Ref # 92022A)	92022-1303	2
COLLAR,SWING ARM,L=15 (Ref # 92027)	92027-1301	1
DAMPER RUBBER (Ref # 92037)	43064-007	2
BEARING-NEEDLE (Ref # 92046)	92046-1035	2
SEAL-OIL (Ref # 92049)	92049-1060	2
BUSHING,SHOCK ABSORBE (Ref # 92075)	45017-019	2
BUSHING,SHOCK ABSORBE (Ref # 92075A)	92075-1141	2
BOLT-SMALL-FINE,10X35 (Ref # 113)	112C1035	2
BOLT,8X40 (Ref # 114)	115G0840	2
NUT 10MM (Ref # 315)	315B1000	2
WASHER PLAIN 14MM (Ref # 410A)	410B1400	2
WASHER-PLANE-SMALL (Ref # 410B)	410F1200	2
WASHER SPRING 8MM (Ref # 461)	461F0800	2
WASHER-SPRING,10MM (Ref # 461C)	461K1000	2
WASHER-SPRING,12MM,BL (Ref # 461D)	461K1200	2