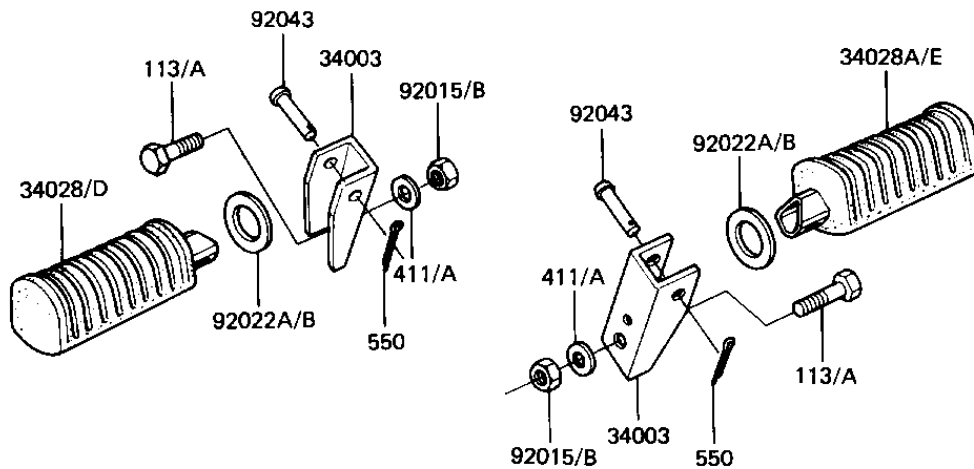
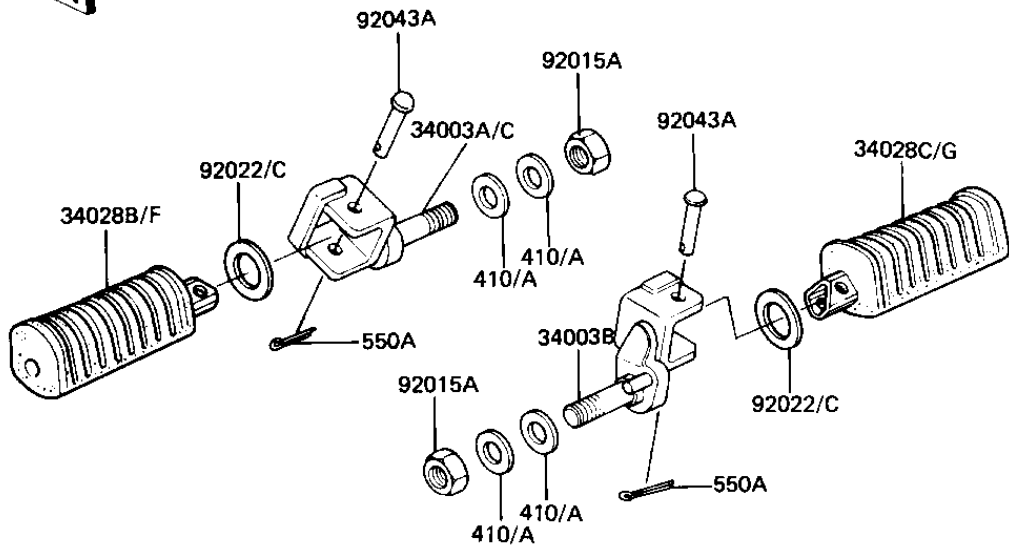


# 1982 GPz PARTS DIAGRAM

## FOOTRESTS

F2160-0059



# 1982 GPz PARTS LIST

## FOOTRESTS

ITEM NAME	PART NUMBER	QUANTITY
HOLDER,REAR FOOTREST (Ref # 34003)	34003-1025	2
HOLDER-STEP,FR,RH (Ref # 34003B)	34003-1086	1
HOLDER-STEP,FR,LH (Ref # 34003C)	34003-1114	1
STEP,RR,LH,BLACK (Ref # 34028D)	34028-1041	1
STEP,RR,RH,BLACK (Ref # 34028E)	34028-1042	1
STEP-ASSY,FR,LH,BLACK (Ref # 34028F)	34027-1108	1
STEP-ASSY,FR,RH,BLACK (Ref # 34028G)	34027-1109	1
NUT,LOCK,10MM,BLACK (Ref # 92015)	92015-1188	2
NUT-LOCK,12MM (Ref # 92015A)	92019-009	2
WASHER,25X36X2.3,BLAC (Ref # 92022)	92022-1319	2
WASHER,22.5X30X2.6,BL (Ref # 92022A)	92022-1320	2
PIN (Ref # 92043)	92043-1464	2
PIN,FOOTREST BAR FIT (Ref # 92043A)	92043-115	2
BOLT-SMALL-FINE,10X40 (Ref # 113A)	113J1040	2
WASHER-PLANE-SMALL (Ref # 410A)	410F1200	4
WASHER (Ref # 411A)	411F1000	2
PIN,COTTER,2.0X12 (Ref # 550)	550D2012	2
PIN,COTTER,2.5X15 (Ref # 550A)	550D2515	2