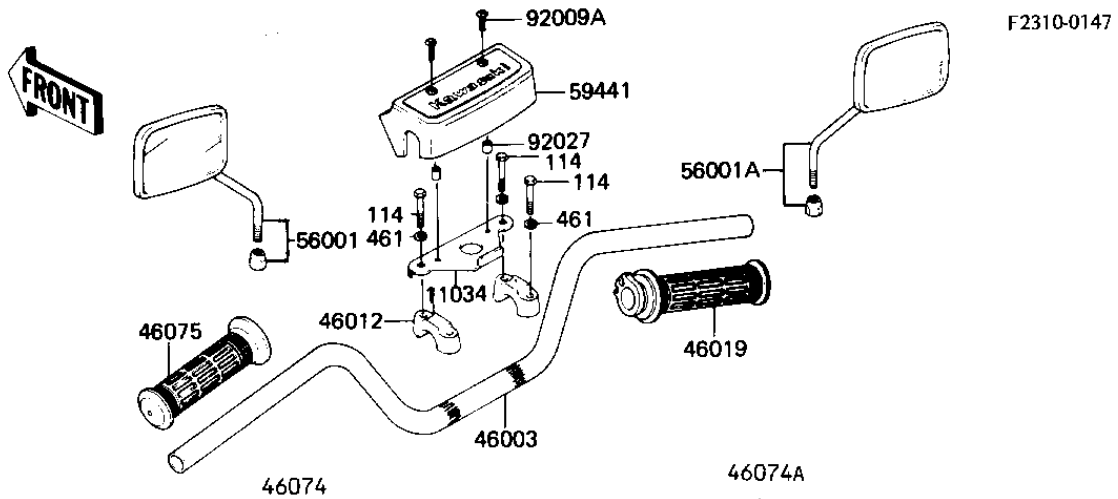
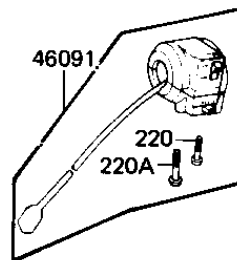
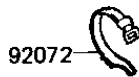
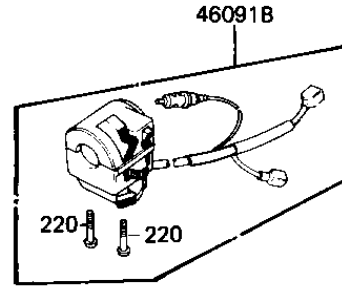
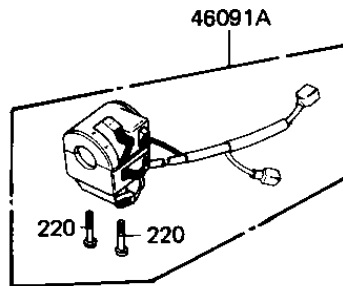
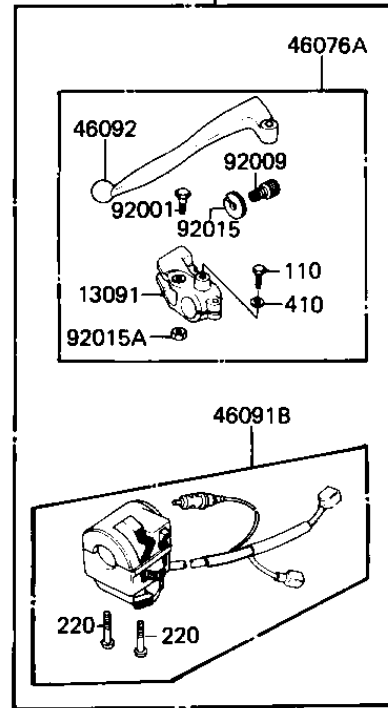
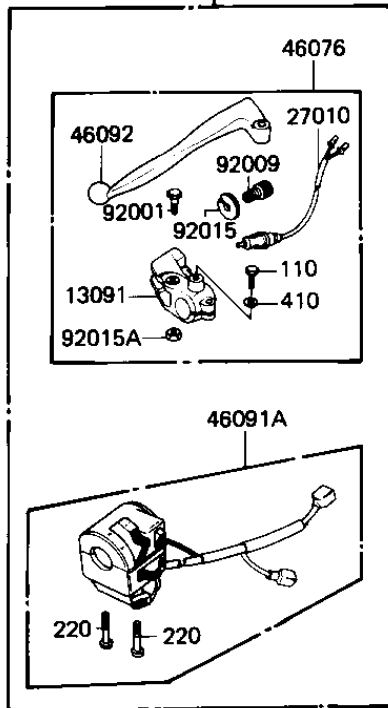


# 1982 GPz PARTS DIAGRAM

HANDLEBAR (KZ1100-B1)



F2310-0147



# 1982 GPz PARTS LIST

## HANDLEBAR (KZ1100-B1)

ITEM NAME	PART NUMBER	QUANTITY
BRACKET,HANDLE COVER (Ref # 11034)	11034-1899	1
HOLDER,CLUTCH LEVER (Ref # 13091)	13091-1046	2
SWITCH,CLUTCH (Ref # 27010)	27010-1045	1
HANDLEBAR (Ref # 46003)	46003-1079	1
HOLDER-HANDLE (Ref # 46012)	46012-1011	2
GRIP-ASSY,THROTTLE (Ref # 46019)	46019-1015	1
GRIP,LH (Ref # 46075)	46075-1022	2
LEVER-ASSY-GRIP,LH (Ref # 46076)	46076-1012	1
LEVER-ASSY-GRIP,CLTCH (Ref # 46076A)	46076-1020	1
HOUSING-ASSY-CNTRL,RH (Ref # 46091)	46091-1155	1
HOUSING-ASSY-CNTRL,LH (Ref # 46091A)	46091-1180	1
HOUSING-ASSY-CNTRL,LH (Ref # 46091B)	46091-1180	1
LEVER-GRIP,RH (Ref # 46092)	46092-1020	2
MIRROR-ASSY,LH (Ref # 56001)	56001-1097	1
MIRROR-ASSY,RH (Ref # 56001A)	56001-1098	1
COVER-HANDLE (Ref # 59441)	59441-1001	2
BOLT,CLUTCH LEVER FIT (Ref # 92001)	92001-1075	2
SCREW CABLE ADJUST (Ref # 92009)	46055-003	2
SCREW,4X16 (Ref # 92009A)	92009-1108	2
NUT-LOCK (Ref # 92015)	46056-005	2
NUT (Ref # 92015A)	92019-008	2
COLLAR,4.5X6.5X9.3 (Ref # 92027)	92027-1313	2
BAND,SHORT (Ref # 92072)	92072-030	4
BOLT, HEX HEAD 6X22 (Ref # 110)	110N0622	2
BOLT,SMALL UPSET (Ref # 114)	115G0835	4
UNAVAILABLE IN PRICE BOOK (Ref # 220)	220B05354	5
SCREW-PAN-CROS (Ref # 220A)	220B0540	1
WASHER PLAIN 6MM (Ref # 410)	410B0600	2
WASHER SPRING 8MM (Ref # 461)	461F0800	4