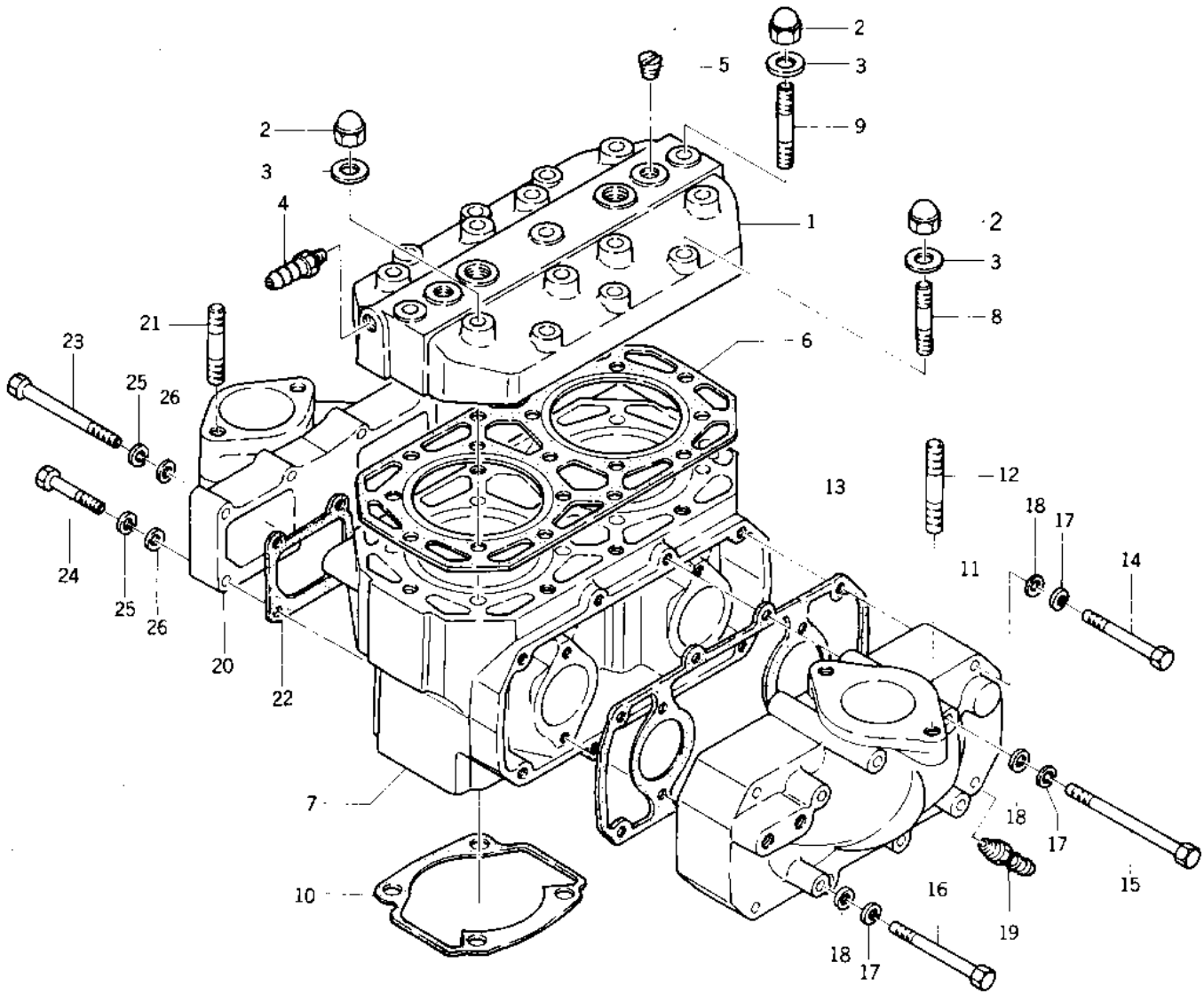


1976 JS400 PARTS DIAGRAM

CYLINDER HEAD/CYLINDER



1976 JS400 PARTS LIST

CYLINDER HEAD/CYLINDER

ITEM NAME	PART NUMBER	QUANTITY
HEAD,CYLINDER (Ref # 1)	11001-558-9G	1
NUT 8M/M (Ref # 2)	92015-503	17
WASHER (Ref # 3)	92022-504	17
JOINT,HOSE (Ref # 4)	92005-3001	1
PLUG,DRAIN (Ref # 5)	92066-3001	2
GASKET-HEAD (Ref # 6)	11004-3711	1
CYLINDER,ASSY (Ref # 7)	11005-568-9G	1
STUD,8X42 (Ref # 8)	92004-3009	6
STUD,8X50 (Ref # 9)	92004-3010	3
GASKET-CYLINDER (Ref # 10)	11009-505	2
MANIFOLD-EXHAUST (Ref # 11)	59081-504-YR	1
STUD (Ref # 12)	172R0834	2
GASKET,EXHAUST MANIF (Ref # 13)	11009-3779	1
BOLT 6X55 (Ref # 14)	110R0655	6
BOLT 6X90 (Ref # 15)	110R0690	2
BOLT 6X75 (Ref # 16)	110R0675	4
WASHER-SPRING,6MM (Ref # 17)	461S0600	12
WASHER (Ref # 18)	410S0600	12
JOINT,HOSE (Ref # 19)	92005-3001	1
MANIFOLD-INTAKE (Ref # 20)	59076-505-YR	1
STUD (Ref # 21)	172R0834	2
GASKET,INTAKE (Ref # 22)	11009-3785	2
BOLT,6X70 (Ref # 23)	110R0670	2
BOLT 6X35 (Ref # 24)	110R0635	4
WASHER-SPRING,6MM (Ref # 25)	461S0600	6
WASHER (Ref # 26)	410S0600	6