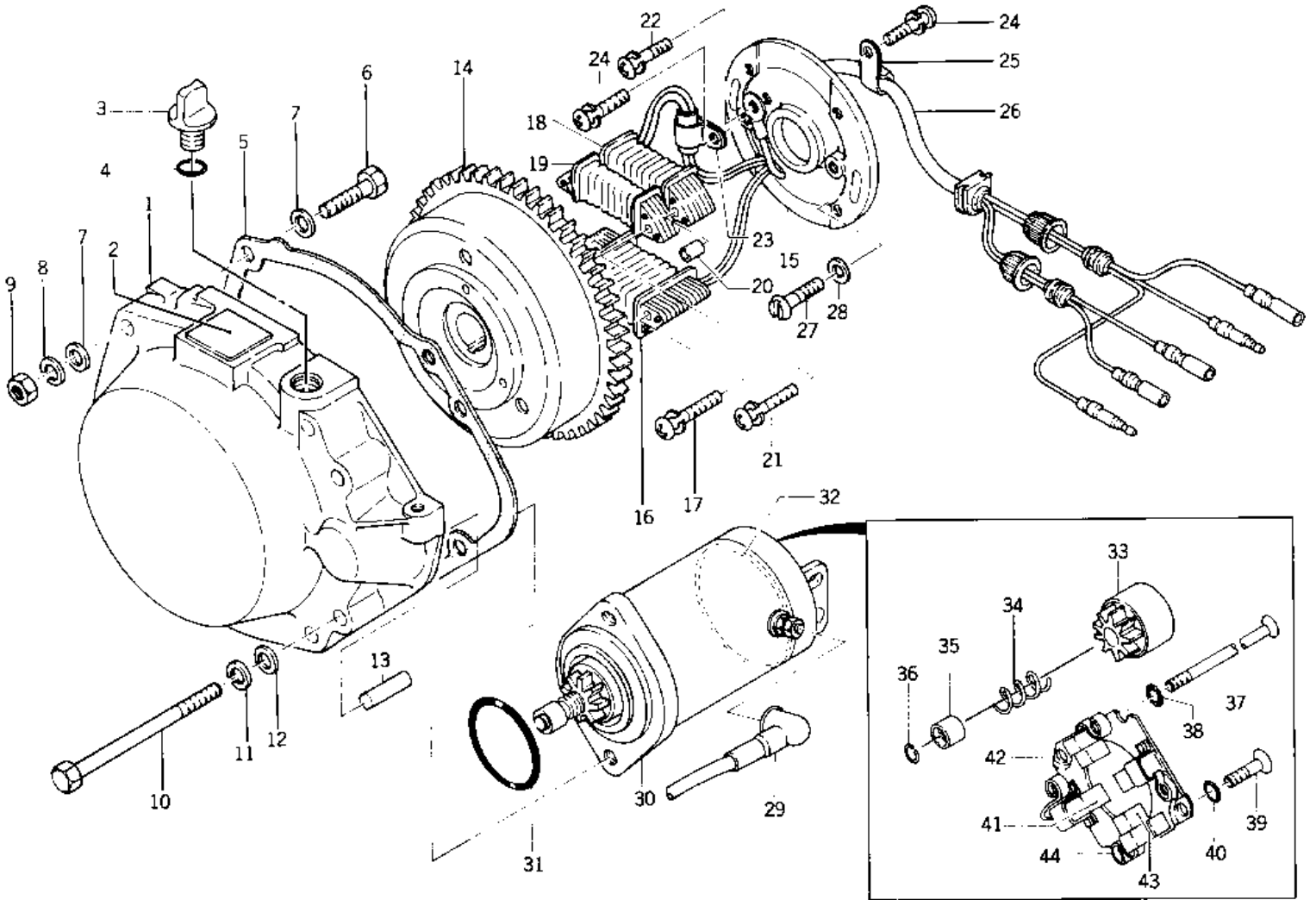


1976 JS400 PARTS DIAGRAM

GENERATOR/STARTER MOTOR



1976 JS400 PARTS LIST

GENERATOR/STARTER MOTOR

ITEM NAME	PART NUMBER	QUANTITY
COVER,MAGNETO (Ref # 1)	59036-560-9G	1
LABEL,HORSE POWER (Ref # 2)	56019-535	1
PLUG,MAGNETO COVER (Ref # 3)	92066-505	1
"0" RING (Ref # 4)	92055-515	1
GASKET,MAGNETO COVER (Ref # 5)	92065-516	1
BOLT 8X50 (Ref # 6)	110R0850	4
WASHER (Ref # 7)	410S0800	8
WASHER SPRING 8MM (Ref # 8)	461S0800	4
NUT 8MM (Ref # 9)	311R0800	4
BOLT,8X80 (Ref # 10)	92001-3011	2
WASHER SPRING 8MM (Ref # 11)	461S0800	2
WASHER (Ref # 12)	410S0800	2
PIN,DOWEL (Ref # 13)	551R0612	2
MAGNETO ASS'Y (Ref # 14-0)	21002-522	1
.FLYWHEEL ASS'Y (Ref # 14)	21050-513	1
.BASE ASS'Y (Ref # 15)	21003-521	1
..COIL,CHARGE (Ref # 16)	59031-501	1
..SCREW 5X34 (Ref # 17)	92011-530	2
..COIL,EXCITING (Ref # 18)	21049-506	1
..COIL,PULSING (Ref # 19)	59026-504	1
..COLLAR,COIL (Ref # 20)	92027-509	2
..SCREW 5X40 (Ref # 21)	92011-533	2
..SCREW 4X6 (Ref # 22)	92011-559	1
..CLAMP (Ref # 23)	92037-520	1
..SCREW 4X8 (Ref # 24)	92011-560	2
..CLAMP-STATOR WIRE (Ref # 25)	92037-518	1
..WIRE ASSY (Ref # 26)	26001-514	1
SCREW 5X20 (Ref # 27)	232B0520A	2
WASHER (Ref # 28)	92022-544	2

1976 JS400 PARTS LIST

GENERATOR/STARTER MOTOR

ITEM NAME	PART NUMBER	QUANTITY
CAP,STARTER (Ref # 29)	59176-506	1
STARTER-ELECTRIC (Ref # 30)	21163-3710	1
.0" RING,65MM (Ref # 31)	671B2565	1
.0" RING(4) (Ref # 32)	92055-517	1
.PINION ASS'Y (Ref # 33)	59051-504	1
.SPRING,RETURN (Ref # 34)	92081-541	1
.STOPPER,PINION (Ref # 35)	92027-513	1
.RING,SNAP (Ref # 36)	92036-517	1
.SCREW 6X107 (Ref # 37)	92011-549	2
.0" RING,5MM (Ref # 38)	670B1505	2
.SCREW 4X8 (Ref # 39)	92011-550	2
.O'RING(1) (Ref # 40)	92055-519	2
.BRUSH(+) (Ref # 41)	21039-3003	2
.HOLDER ASSY,BRUSH (Ref # 42)	14079-3002	1
..BRUSH(-) (Ref # 43)	21039-3004	2
..SPRING,BRUSH (Ref # 44)	92081-540	4