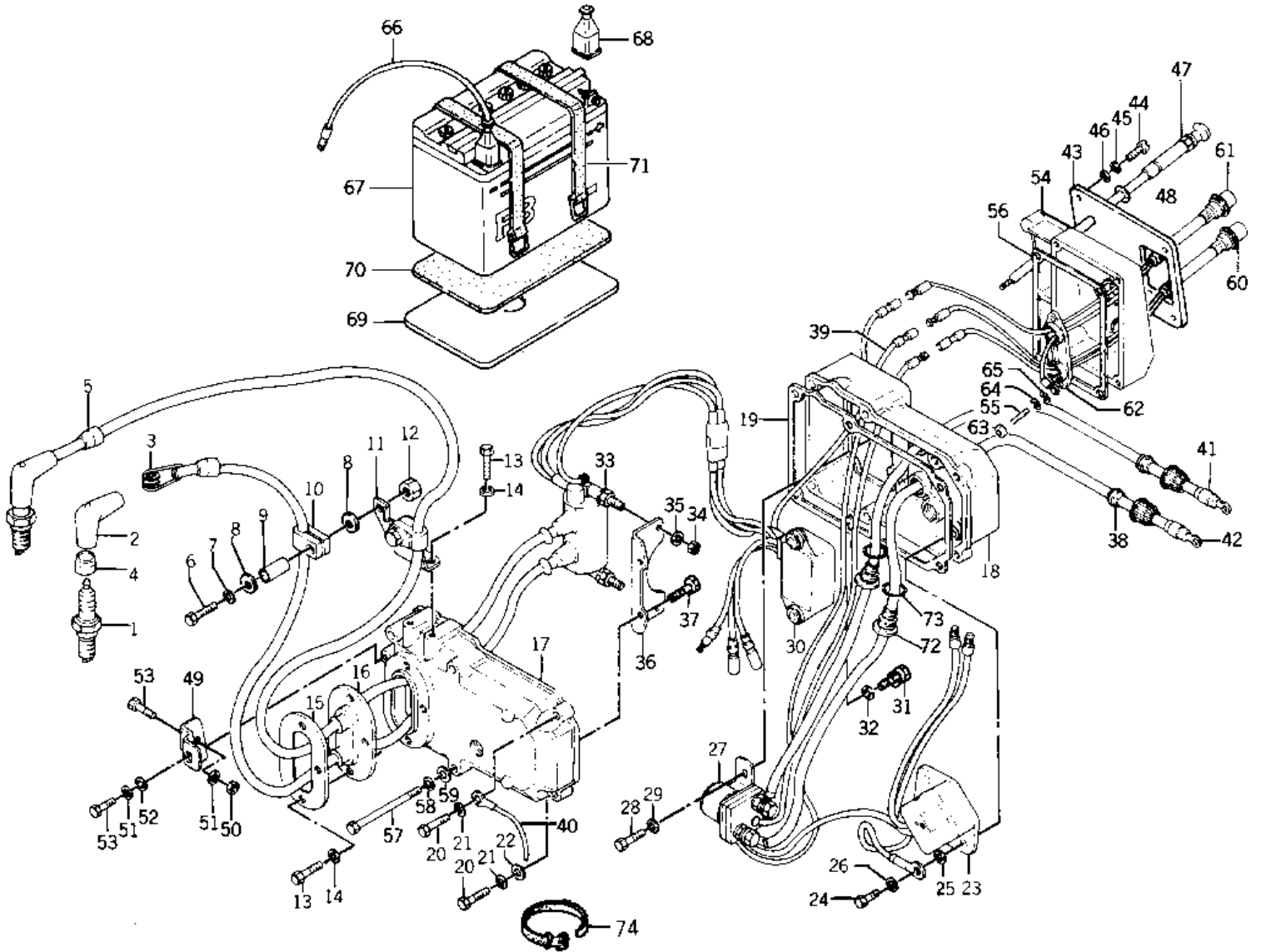


# 1976 JS400 PARTS DIAGRAM

## ELECTRIC CASE



# 1976 JS400 PARTS LIST

## ELECTRIC CASE

ITEM NAME	PART NUMBER	QUANTITY
SPARK PLUG B7ES (Ref # 1)	B7ES	2
CAP,PLUG (Ref # 2)	21130-504	2
.SPRING,PLUG CAP (Ref # 3)	92081-542	2
COVER,PLUG (Ref # 4)	92071-501	2
GROMMET (Ref # 5)	92071-517	2
BOLT,6X30 (Ref # 6)	92001-3022	2
WASHER (Ref # 7)	411S0600	2
WASHER (Ref # 8)	92022-553	4
COLLAR (Ref # 9)	92027-519	2
CLAMP (Ref # 10)	92037-523	2
BRACKET,CLAMP (Ref # 11)	59016-514	1
NUT,6M/M (Ref # 12)	311R0600	2
BOLT 6X14 (Ref # 13)	110R0614	6
WASHER-SPRING,6MM (Ref # 14)	461S0600	6
PLATE-ELECTRICAL CASE (Ref # 15)	59086-516	1
GROMMET (Ref # 16)	92071-526	1
BOX,ELECTRIC(1) (Ref # 17)	59021-518-9G	1
BOX,ELECTRIC (2) (Ref # 18)	59021-526-9G	1
GASKET,CASE (Ref # 19)	11009-3024	1
BOLT 6X22 (Ref # 20)	110R0622	2
WASHER-SPRING,6MM (Ref # 21)	461S0600	2
WASHER (Ref # 22)	410S0600	1
REGULATOR (Ref # 23)	21066-501	1
BOLT-UPSET 6X14 (Ref # 24)	112B0614	2
WASHER PLAIN 6MM (Ref # 25)	410B0600	2
WASHER SPRING 6MM (Ref # 26)	461F0600	2
SWITCH,MAGNETIC (Ref # 27)	21164-515	1
BOLT SMALL (Ref # 28)	114G0812	2
WASHER SPRING 5MM (Ref # 29)	461F0500	2

# 1976 JS400 PARTS LIST

## ELECTRIC CASE

ITEM NAME	PART NUMBER	QUANTITY
IGNITER (Ref # 30)	21119-3004	1
BOLT-UPSET-WS,6X22 (Ref # 31)	180B0622	2
WASHER,IGNITER (Ref # 32)	92022-3013	2
COIL,IGNITION (Ref # 33)	21121-518	1
NUT 6MM (Ref # 34)	311B0600	2
WASHER SPRING 6MM (Ref # 35)	461F0600	2
BRACKET,COIL (Ref # 36)	59016-521	1
BOLT-UPSET-WS,6X14 (Ref # 37)	180B0614	2
GROMMET (Ref # 38)	92071-527	2
WIRE,SWITCH (Ref # 39)	26011-504	1
WIRE,EARTH (Ref # 40)	26011-505	1
WIRE,STARTER (Ref # 41)	26011-510	1
WIRE,BATTERY (Ref # 42)	26011-511	1
DASHBOARD (Ref # 43)	59226-503-9H	1
SCREW,6X20 (Ref # 44)	220R0620	4
WASHER-SPRING,6MM (Ref # 45)	461S0600	4
WASHER (Ref # 46)	411S0600	4
CABLE,CHOKE (Ref # 47)	59401-3001	1
GASKET (Ref # 48)	92065-538	1
CLAMP (Ref # 49)	92037-532	1
NUT 6M/M (Ref # 50)	312R0600	1
WASHER-SPRING,6MM (Ref # 51)	461S0600	2
WASHER (Ref # 52)	411S0600	1
BOLT 6X12 (Ref # 53)	110R0612	2
BOX,SWITCH (Ref # 54)	59191-502	1
.STUD (Ref # 55)	171R0514A	2
GASKET,UNIT BOX (Ref # 56)	92065-511	1
BOLT 6X99 (Ref # 57)	110R0699	4
WASHER-SPRING,6MM (Ref # 58)	461S0600	4

## 1976 JS400 PARTS LIST

### ELECTRIC CASE

ITEM NAME	PART NUMBER	QUANTITY
WASHER (Ref # 59)	411S0600	4
SWITCH,STARTER (Ref # 60)	21164-511	1
SWITCH,STOP (Ref # 61)	21164-512	1
RETAINER,SWITCH (Ref # 62)	23072-515	1
NUT,5MM (Ref # 63)	311B0500	2
WASHER SPRING 5MM (Ref # 64)	461F0500	2
WASHER PLAIN 5MM (Ref # 65)	411B0500	1
WIRE,BATTERY EARTH (Ref # 66)	26011-501	1
FB BAT 12N16-3B (Ref # 67)	26012-1013	1
CAP-BATTERY TERMINAL (Ref # 68)	59176-501	2
PLATE-BATTERY (Ref # 69)	59086-520	1
CUSHION,BATTERY (Ref # 70)	92075-509	1
BAND,BATTERY (Ref # 71)	92072-512	2
JOINT-STATOR WIRE (Ref # 72)	59071-516	4
"O" RING,16MM (Ref # 73)	670B2016	4
BAND,MIDDLE (Ref # 74)	92072-031	1