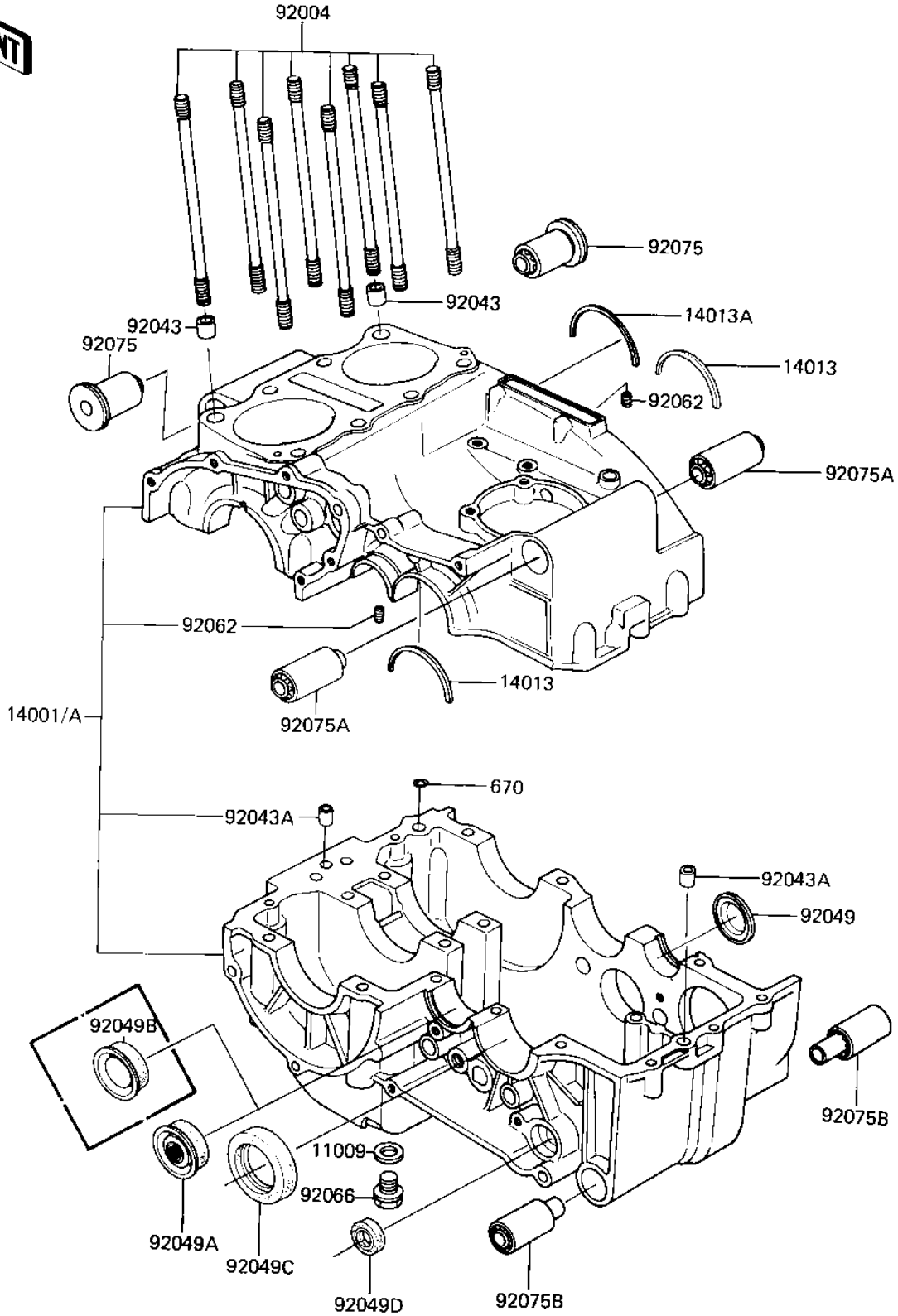


# 1982 CSR PARTS DIAGRAM

CRANKCASE

E1411-0012



# 1982 CSR PARTS LIST

## CRANKCASE

ITEM NAME	PART NUMBER	QUANTITY
GASKET,DRIN PLUG (Ref # 11009)	92065-097	1
SET-CRANKCASE (Ref # 14001A)	14001-5093	1
RING BEARING SETTING (Ref # 14013)	14013-004	2
RING,POSITION (Ref # 14013A)	14013-1004	1
STUD,8X146 (Ref # 92004)	92004-1016	8
PIN,DOWEL,12MM (Ref # 92043)	92042-031	2
PIN,DOWEL,10X8.2X14 (Ref # 92043A)	92043-1037	2
SEAL-OIL,OUTPUT SHAFT (Ref # 92049)	92049-1019	1
SEAL-OIL,PLUG (Ref # 92049B)	92049-1074	1
OIL SEAL SC325210 (Ref # 92049C)	92050-024	1
OIL SEAL,TB13225.5 (Ref # 92049D)	92051-005	1
NOZZLE,OIL BIAS (Ref # 92062)	92062-011	2
PLUG,OIL DRAIN,12X15 (Ref # 92066)	92066-1174	1
DAMPER,FR (Ref # 92075)	92075-1437	2
DAMPER,RR UPPER (Ref # 92075A)	92075-1082	2
DAMPER,RR LOWER (Ref # 92075B)	92075-1083	2
"O" RING, 10MM (Ref # 670)	670B2010	1