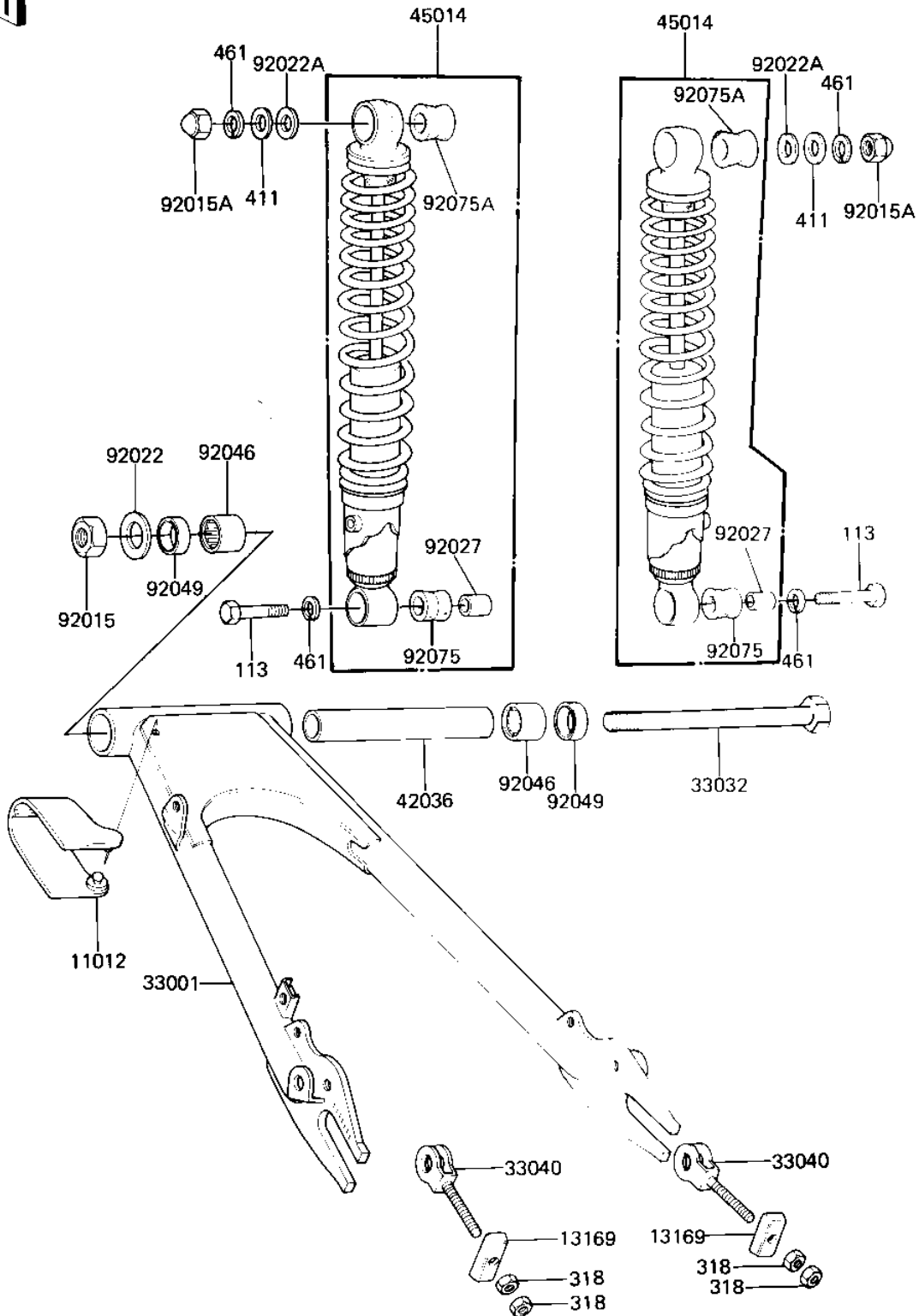


# 1982 CSR PARTS DIAGRAM

SWING ARM/SHOCK ABSORBERS (KZ305-A1)



F2140-0030



# 1982 CSR PARTS LIST

## SWING ARM/SHOCK ABSORBERS (KZ305-A1)

ITEM NAME	PART NUMBER	QUANTITY
GUARD,CHAIN,FR (Ref # 11012)	55020-1063	1
PLATE-CHAIN ADJUSTER (Ref # 13169)	33041-002	2
ARM-COMP-SWING (Ref # 33001)	33001-1103	1
SHAFT,SWING ARM (Ref # 33032)	33032-1002	1
ADJUSTER-CHAIN (Ref # 33040)	33040-1016	2
SLEEVE,SWING ARM (Ref # 42036)	42036-1017	1
SHOCKABSORBER,RR (Ref # 45014)	45014-1219	2
NUT-LOCK,14MM (Ref # 92015)	92019-011	1
NUT SHOCK ABSORBER (Ref # 92015A)	92020-003	2
WASHER,14.2X30X3.2 (Ref # 92022)	92022-1067	1
WASHER-PLN,10X22X3.2 (Ref # 92022A)	92022-176	2
BUSHING,SHOCK ABSORB (Ref # 92027)	45016-008	2
BEARING-NEEDLE,HK2216 (Ref # 92046)	92046-1115	2
OIL SEAL,MHA22284 (Ref # 92049)	92049-1059	2
BUSHING, SHCK ABS RUB (Ref # 92075)	45017-012	2
BUSHING,SHCK ABS RUB (Ref # 92075A)	45017-015	2
BOLT HEX HEAD 10X35 (Ref # 113)	113N1035	2
NUT 8MM (Ref # 318)	318B0800	4
WASHER PLAIN 10MM (Ref # 411)	411B1000	2
WASHER SPRING 10MM (Ref # 461)	461F1000	4