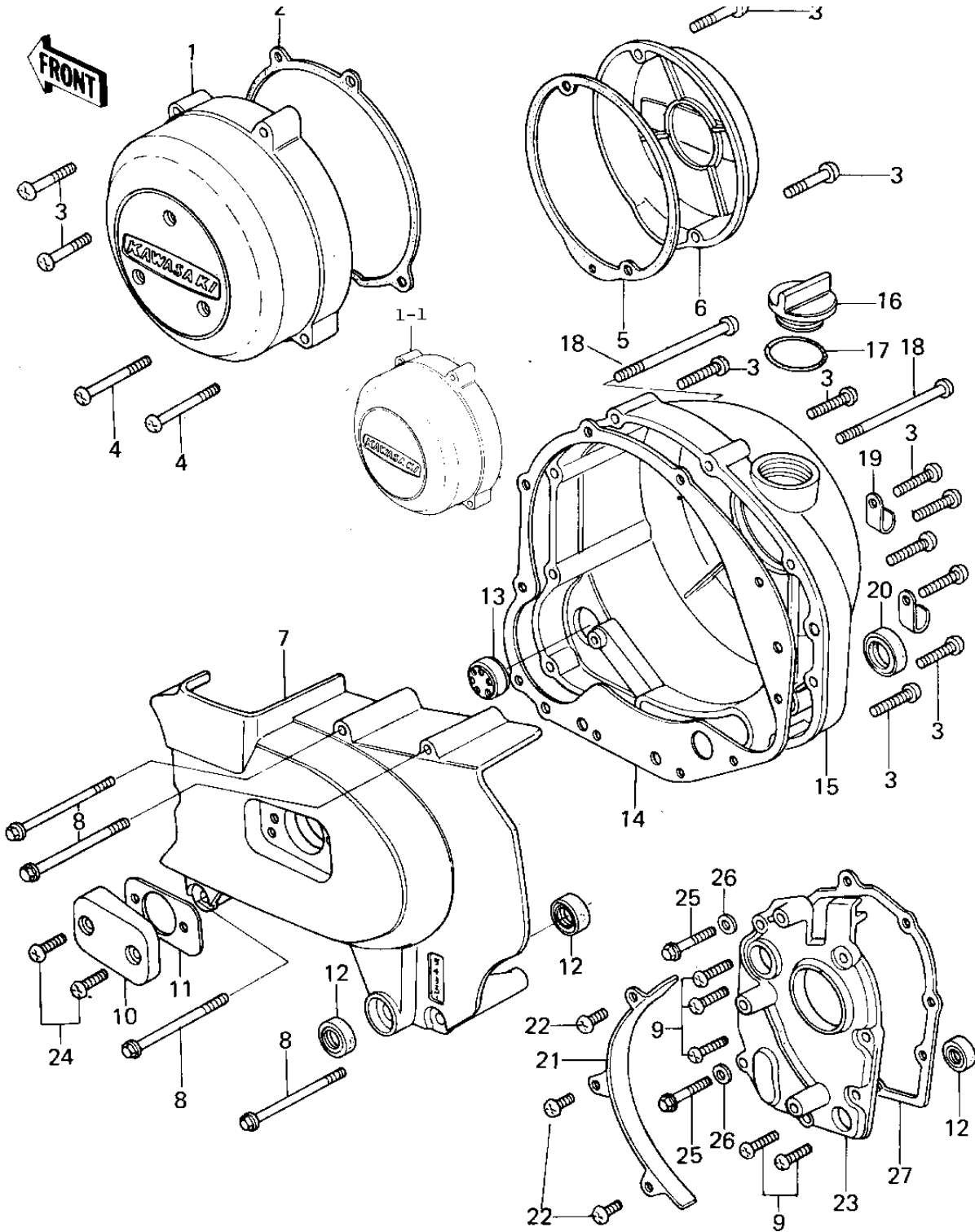


1978 KZ650-B2A PARTS DIAGRAM

ENGINE COVERS



1978 KZ650-B2A PARTS LIST

ENGINE COVERS

ITEM NAME	PART NUMBER	QUANTITY
COVER,DYNAMO (Ref # 1)	14031-1009-80	1
COVER,DYNAMO (Ref # 1)	14031-1009-80	1
COVER,GENERATOR,BUFF (Ref # 1-1)	14031-1028	1
GASKET,L.H.ENG COVER (Ref # 2)	14045-029	1
GASKET,GENERATOR COVE (Ref # 2)	11009-1987	1
SCREW PAN HEAD 6X30 (Ref # 3)	220B0630	12
SCREW PAN HEAD 6X70 (Ref # 4)	220B0670	2
SCREW PAN HEAD 6X40 (Ref # 4)	220B0640	2
GASKET,PULSING COIL C (Ref # 5)	11060-1053	1
CAP,BREAKER POINT,BUF (Ref # 6)	11012-1035	1
COVER,ENG SPROCKT,BUF (Ref # 7)	14026-035-80	1
BOLT-FLANGED,6X70 (Ref # 8)	130G0670	4
SCREW PAN HEAD 6X20 (Ref # 9)	220B0620	5
COVER,CLUTCH ADJUSTNG (Ref # 10)	14028-006-80	1
GASKET,CLUTCH ADJ CAP (Ref # 11)	14049-004	1
OIL SEAL,TB13225.5 (Ref # 12)	92051-005	3
GAUGE,OIL LEVEL (Ref # 13)	52015-004	1
GASKET,R.H.ENG COVER (Ref # 14)	14046-035	1
COVER,R.H.ENG,BUFF FN (Ref # 15)	14032-117-80	1
PLUG,OIL FILLER (Ref # 16)	16115-013	1
"O" RING,31MM (Ref # 17)	92055-049	1
SCREW PAN HEAD 6X80 (Ref # 18)	220B0680	2
CLAMP,WIRING HARNESS (Ref # 19)	21126-008	2
OIL SEAL SB20285 (Ref # 20)	92049-012	1
GUIDE CHAIN (Ref # 21)	12053-1006	1
GUIDE,CHAIN (Ref # 21)	12053-1006	1
BOLT-UPSET 6X14 (Ref # 22)	112B0614	3
COVER,MISSION (Ref # 23)	14024-011	1
SCREW PAN HEAD 6X18 (Ref # 24)	220B0618	2

1978 KZ650-B2A PARTS LIST

ENGINE COVERS

ITEM NAME	PART NUMBER	QUANTITY
BOLT,HEX HEAD,6X35 (Ref # 25)	92001-164	2
WASHER OIL PUMP BANJO (Ref # 26)	92022-077	2
GASKET,TRANSMISSION C (Ref # 27)	11060-1056	1