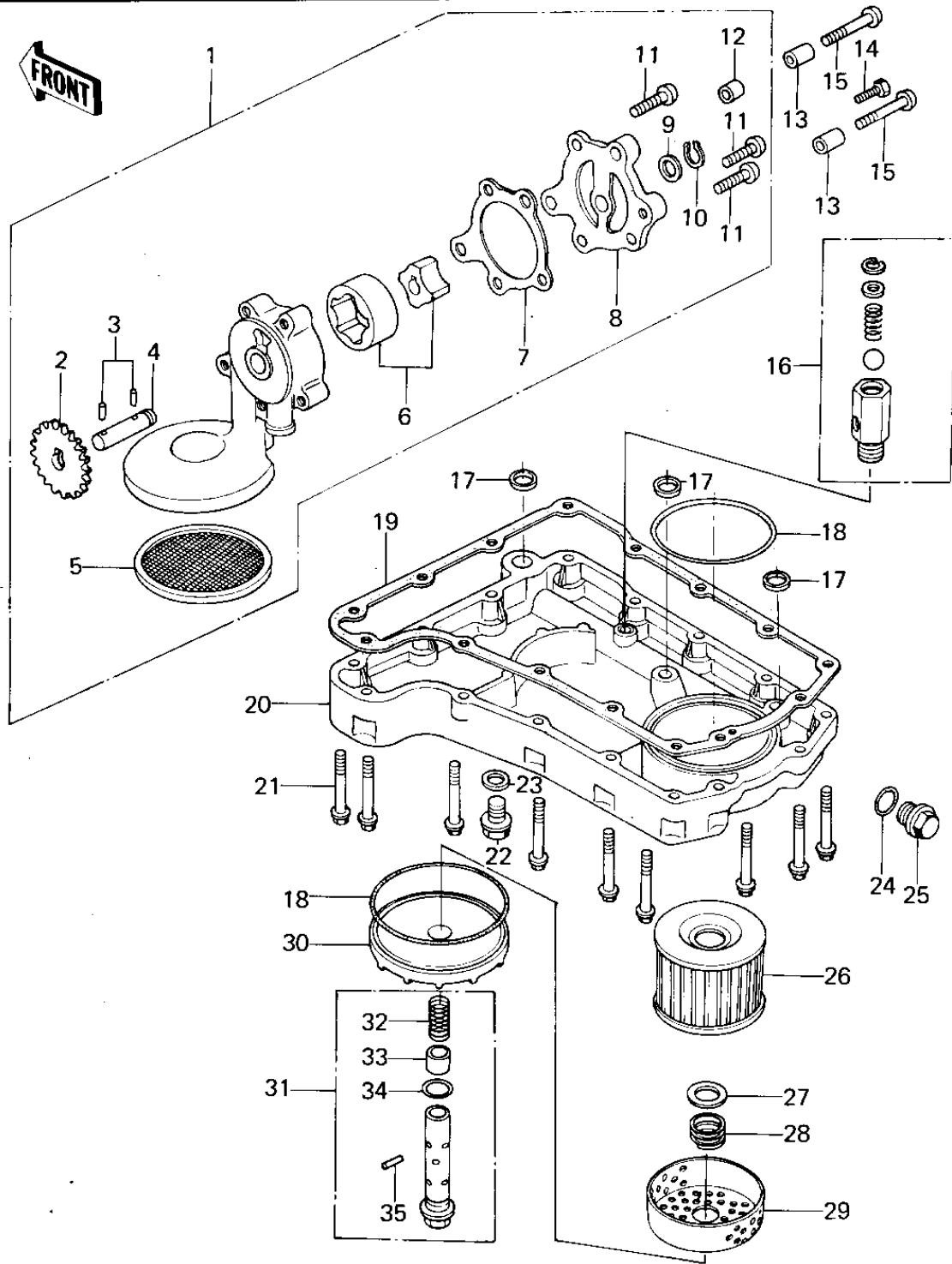


# 1978 KZ650-B2 PARTS DIAGRAM

OIL PUMP/OIL FILTER/OIL PAN



# 1978 KZ650-B2 PARTS LIST

## OIL PUMP/OIL FILTER/OIL PAN

ITEM NAME	PART NUMBER	QUANTITY
OIL PUMP ASSY (Ref # 1)	16082-064	2
GEAR,OIL PUMP,57T (Ref # 2)	16085-025	2
PIN,DOWEL (Ref # 3)	92042-041	2
SHAFT,OIL PUMP (Ref # 4)	16086-004	2
STRAINER,OIL PUMP (Ref # 5)	16111-004	2
ROTOR ASSY,OIL PUMP (Ref # 6)	16154-003	2
GASKET,OIL PUMP COVER (Ref # 7)	16145-004	2
COVER,OIL PUMP (Ref # 8)	16142-005	2
WASHER,PLAIN (Ref # 9)	92022-311	2
CIRCLIP,11MM (Ref # 10)	480J1100	2
SCREW PAN HEAD 6X22 (Ref # 11)	220B0622	2
PIN,DOWEL,8X10 (Ref # 12)	92043-1302	2
PIN,DOWEL,6.2X8X28 (Ref # 13)	92042-050	2
BOLT,HEX HEAD,6X45 (Ref # 14)	92001-165	2
SCREW,CONTRUNK HEAD (Ref # 15)	221B0650	2
RELEAF VALVE ASSY (Ref # 16)	16130-1001	2
RELEAF VALVE ASSY (Ref # 16)	16130-1001	2
"O" RING (Ref # 17)	92055-077	2
"O" RING,90MM (Ref # 18)	671B2590	2
GASKET,OIL PAN (Ref # 19)	11009-1983	2
PAN-OIL (Ref # 20)	49034-5011	2
BOLT,FLANGED,6X25 (Ref # 21)	130G0625	2
PLUG,OIL DRAIN,12X15 (Ref # 22)	92066-1174	2
GASKET,DRIN PLUG (Ref # 23)	92065-097	2
RING-O (Ref # 24)	92055-1146	2
PLUG (Ref # 25)	92066-066	2
FILTER,OIL (Ref # 26)	16099-003	2
SHIM-KICK SHAFT (Ref # 27)	92022-144	2
WASHER,20.5X30X1.0 (Ref # 27)	92022-1012	2

## 1978 KZ650-B2 PARTS LIST

### OIL PUMP/OIL FILTER/OIL PAN

ITEM NAME	PART NUMBER	QUANTITY
SPRING,OIL FILTER (Ref # 28)	92081-1018	2
SPRING,OIL FILTER (Ref # 28)	92081-1018	2
PLATE,OIL FILTER (Ref # 29)	13169-1110	2
COVER,OIL FILTER (Ref # 30)	16101-004	2
VALVE,OIL FILTER (Ref # 31)	16126-1108	2
SPRING,PISTON (Ref # 32)	92081-133	2
PISTON (Ref # 33)	92136-001	2
"O" RING,16MM (Ref # 34)	670B2016	2
SPRING PIN (Ref # 35)	92043-111	2