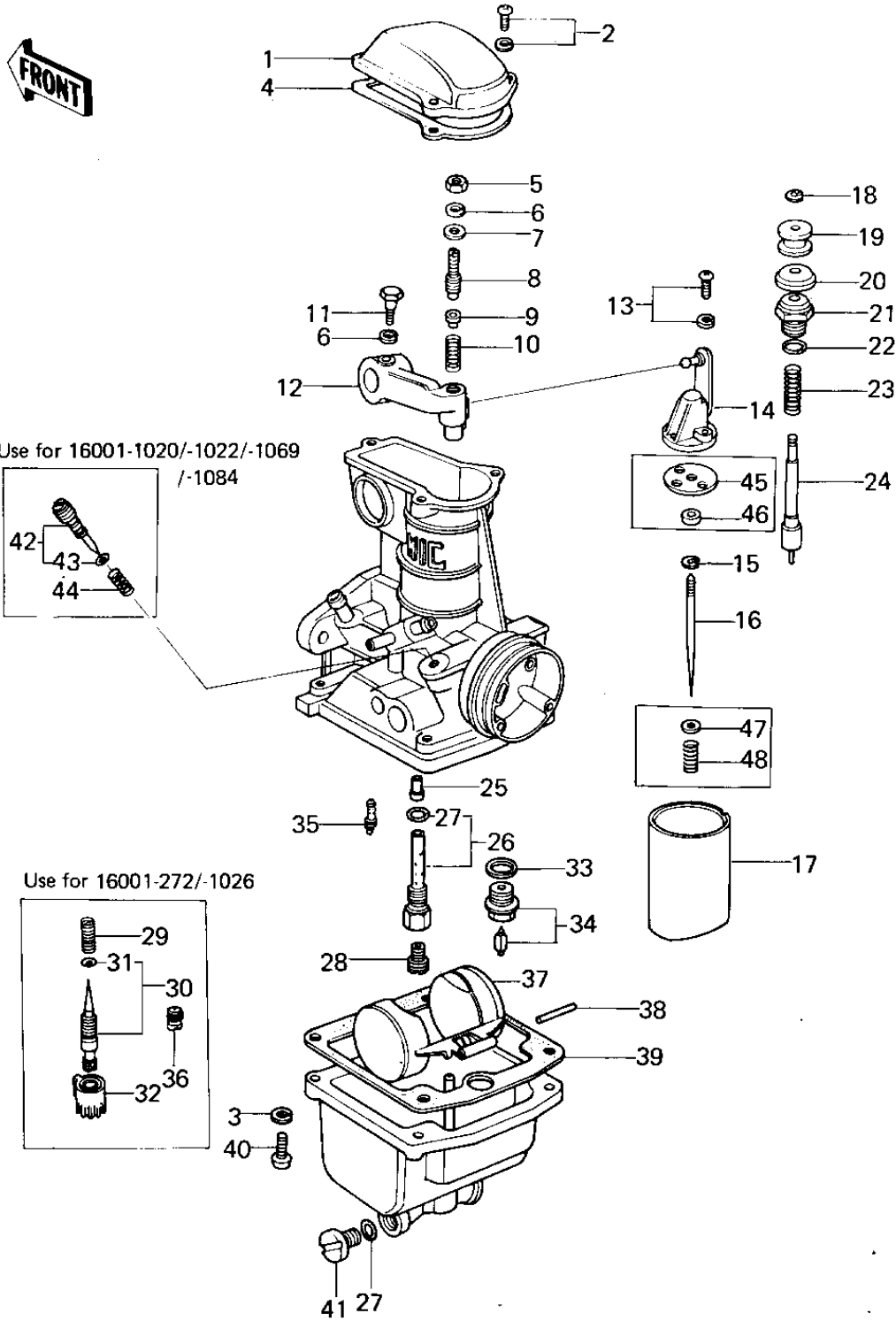


1978 KZ650-B2 PARTS DIAGRAM

CARBURETOR PARTS



1978 KZ650-B2 PARTS LIST

CARBURETOR PARTS

ITEM NAME	PART NUMBER	QUANTITY
TOP,MIXING CHAMBER (Ref # 1)	16005-027	4
SCREW-PAN-WS-CROS (Ref # 2)	223B0414	12
WASHER SPRING 4MM (Ref # 3)	461F0400	16
GASKET,CHAMBER TOP (Ref # 4)	16019-031	4
NUT,5MM (Ref # 5)	16003-013	4
WASHER SPRING 5MM (Ref # 6)	461F0500	8
WASHER,PLAIN (Ref # 7)	16039-016	4
SCREW,SLOTTED (Ref # 8)	16046-012	4
SEAT,SPRING (Ref # 9)	16057-002	4
SPRING (Ref # 10)	16040-026	4
BOLT,HEX HEAD,5X14 (Ref # 11)	16067-006	4
LEVER,THROTTLE (Ref # 12)	39075-1001	4
SCREW,PAN HEAD,3X14 (Ref # 13)	16033-031	8
BRACKET,THROTTLE VALV (Ref # 14)	16007-028	4
CIRCLIP (Ref # 15)	16008-010	4
JET NEEDLE,5DL3 (Ref # 16)	16009-071	4
VALVE,THROTTLE (Ref # 17)	16025-1006	4
CIRCLIP (Ref # 18)	16076-003	4
COLLAR (Ref # 19)	16073-014	4
CAP,STARTER PLUNGER (Ref # 20)	16039-015	4
CAP,STARTER PLUNGER (Ref # 21)	16012-015	4
"O" RING,9MM (Ref # 22)	670B1509	4
SPRING,STARTER PLUG (Ref # 23)	16013-008	4
PLUNGER,STARTER (Ref # 24)	16016-021	4
NEEDLE JET,O-8 (Ref # 25)	16017-096	4
PIPE,BLEED (Ref # 26)	16047-005	4
"O" RING,MAIN JET COV (Ref # 27)	16038-016	8
MAIN JET,#A102.5 (Ref # 28)	92063-1028	4
MAIN JET,#A100 (Ref # 28)	92063-1033	4

1978 KZ650-B2 PARTS LIST

CARBURETOR PARTS

ITEM NAME	PART NUMBER	QUANTITY
MAIN JET,#A105R (Ref # 28)	92063-1042	4
JET-MAIN NO 107.5R (Ref # 28)	92063-073	4
MAIN JET NO 92.5R (Ref # 28)	92063-068	4
MAIN JET,#A95 (Ref # 28)	92063-1031	4
WASHER FLOAT VLV SEAT (Ref # 33)	16029-004	4
FLOAT VALVE ASSY (Ref # 34)	16030-1001	4
PILOT JET,#A15 (Ref # 35)	92064-1018	4
FLOAT (Ref # 37)	16031-031	4
FLOAT PIN (Ref # 38)	16032-003	4
GASKET,FLOAT CHAMBER (Ref # 39)	11009-1563	4
SCREW PAN HEAD 4X16 (Ref # 40)	220B0416	16
SCREW,GUIDE (Ref # 41)	16049-007	4
SCREW,PILOT ADJUSTING (Ref # 42)	16014-1004	4
"O" RING (Ref # 43)	16038-022	4
SPRING-THR STOP SCREW (Ref # 44)	16022-007	4