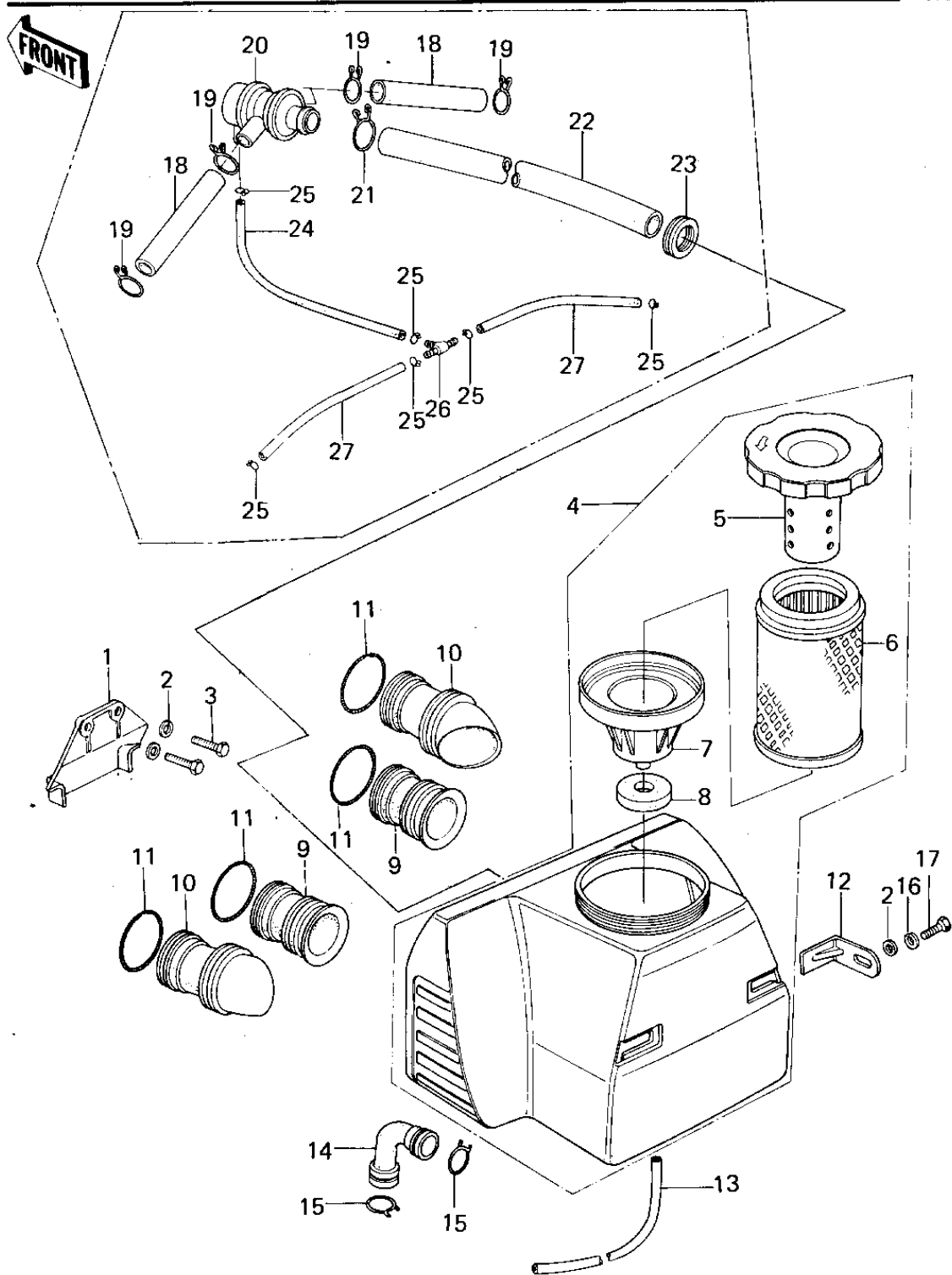


# 1979 KZ650-B3 PARTS DIAGRAM

## AIR CLEANER



# 1979 KZ650-B3 PARTS LIST

## AIR CLEANER

ITEM NAME	PART NUMBER	QUANTITY
BAFFLE PLT,AIR CLEANER (Ref # 1)	11019-003	1
WASHER PLAIN 6MM (Ref # 2)	411B0600	4
BOLT-UPSET (Ref # 3)	112G0618	2
AIR CLEANER ASSY (Ref # 4)	11010-1002	1
FILTER-ASSY (Ref # 4)	11010-1079	1
FILTER-ASSY-AIR (Ref # 4)	11010-1078	1
CAP,AIR CLEANER (Ref # 5)	11012-069	1
ELEMENT,AIR CLNR (Ref # 6)	11013-1006	1
ELEMENT,AIR CLNR (Ref # 6)	11013-1006	1
HOLDER,INLET PIPE (Ref # 7)	11033-006	1
GASKET,HOLDER (Ref # 8)	11039-003	1
INLET DUCT,#2,3 (Ref # 9)	11015-057	2
INLET PIPE,#1.4 (Ref # 10)	11015-063	2
SPRING COIL (Ref # 11)	92081-047	4
BRACKET,AIR CLEANER (Ref # 12)	32070-038	2
TUBE,VINYL,6X200 (Ref # 13)	700Q06200	1
TUBE,BREATHER (Ref # 14)	92059-137	1
CLAMP BREATHER PIPE (Ref # 15)	92037-028	2
WASHER SPRING 6MM (Ref # 16)	461F0600	2
BOLT-UPSET,6X12 (Ref # 17)	112G0612	2
TUBE,14X20X100 (Ref # 18)	92059-1042	2
CLAMP,BREATHER TUBE (Ref # 19)	92037-213	4
VALVE ASSY,AIR SWITCH (Ref # 20)	16126-1005	1
CLAMP (Ref # 21)	92037-1076	1
TUBE,19X25X415 (Ref # 22)	92059-1041	1
GROMMET,AIR CLEANER (Ref # 23)	92071-1013	1
TUBE,4X9X290 (Ref # 24)	92059-1043	1
CLAMP-PIPE (Ref # 25)	92037-072	6
FITTING,TUBE (Ref # 26)	92005-1017	1