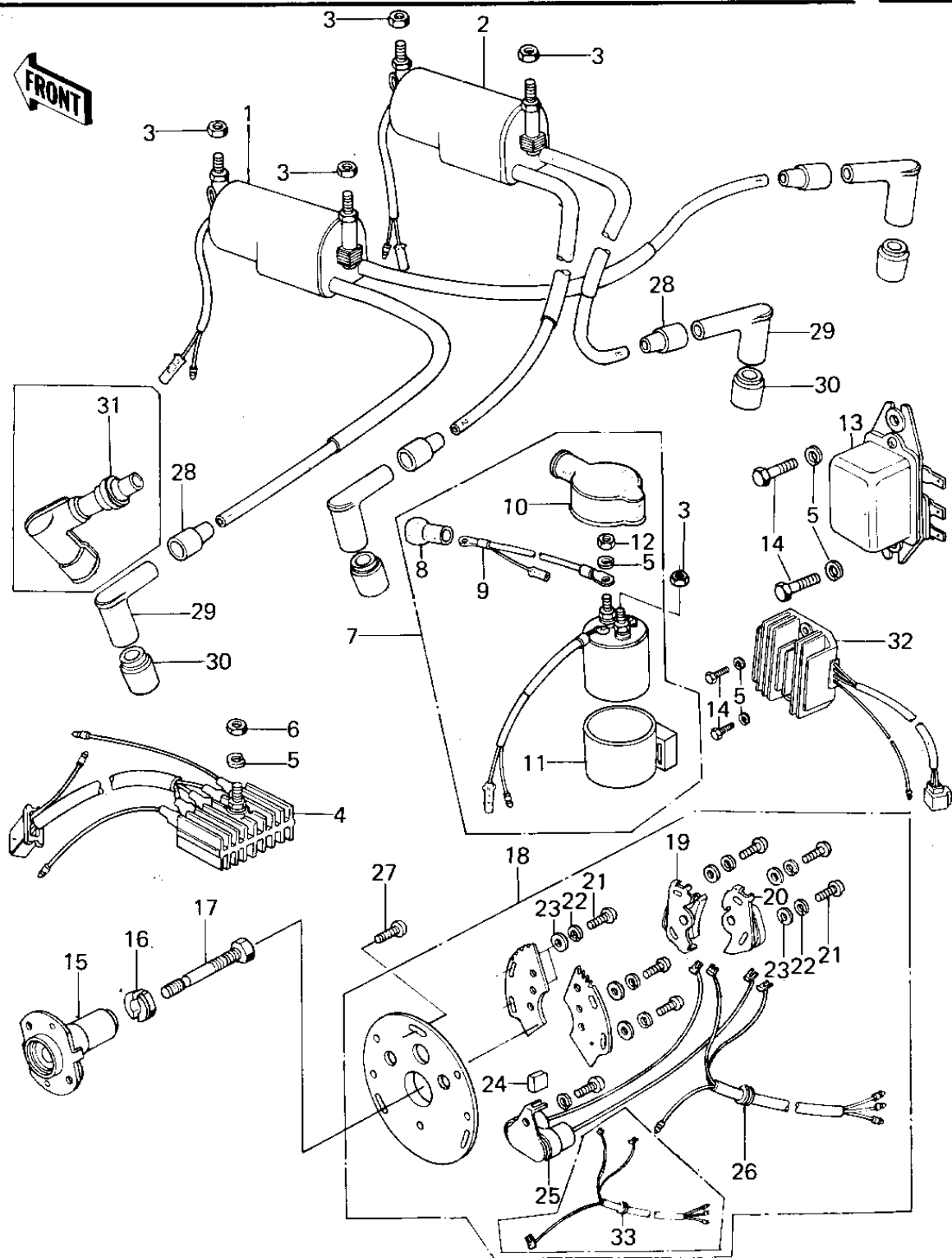


1977 KZ650-B1 PARTS DIAGRAM

IGNITION/REGULATOR/RECTIFIER



1977 KZ650-B1 PARTS LIST

IGNITION/REGULATOR/RECTIFIER

ITEM NAME	PART NUMBER	QUANTITY
COIL,IGNITION,#1.4 (Ref # 1)	21121-1001	1
COIL,IGNITION,#1.4 (Ref # 1)	21121-1001	1
COIL,IGNITION,#2.3 (Ref # 2)	21121-1002	1
COIL,IGNITION,#2.3 (Ref # 2)	21121-1002	1
NUT,LOCK 6MM (Ref # 3)	92017-014	5
RECTIFIER (Ref # 4)	21061-031	1
WASHER SPRING 6MM (Ref # 5)	461F0600	4
NUT 6MM (Ref # 6)	311B0600	1
SWITCH,MAGNETIC (Ref # 7)	27010-1050	1
CAP,MAGNETIC SWITCH (Ref # 8)	21017-023	1
WIRE-LEAD,MAGNETIC SW (Ref # 9)	26011-1128	1
COVER MAGNETIC SWITCH (Ref # 10)	21141-004	1
DAMPER MAG SWITCH SHK (Ref # 11)	21064-002	1
NUT 6MM (Ref # 12)	312B0600	1
REGULATOR (Ref # 13)	21066-018	1
BOLT-UPSET (Ref # 14)	112G0618	2
BOLT-UPSET,6X16 (Ref # 14)	112G0616	2
ADVANCER,AUTMATIC TMNG (Ref # 15)	21148-011	1
WASHER,SPARK ADVANCER (Ref # 16)	92022-244	1
BOLT-8X63 (Ref # 17)	92001-1397	1
BREAKER ASSY,CONTACT (Ref # 18)	21008-1012	1
BREAKER ASSY,CONTACT (Ref # 18)	21008-1012	1
BREAKER,CONTACT (Ref # 19)	21008-028	1
BREAKER,CONTACT (Ref # 20)	21008-027	1
SCREW PAN HEAD 4X8 (Ref # 21)	220B0408	9
WASHER SPRING 4MM (Ref # 22)	461F0400	9
WASHER PLAIN 4MM (Ref # 23)	410B0400	9
FELT OIL (Ref # 24)	21019-005	1
CONDENSER (Ref # 25)	21013-037	1

1977 KZ650-B1 PARTS LIST

IGNITION/REGULATOR/RECTIFIER

ITEM NAME	PART NUMBER	QUANTITY
WIRING HARNESS,BREAKR (Ref # 26)	26001-1081	1
SCREW PAN HEAD 5X12 (Ref # 27)	220B0512	3
GROMMET,SPARK PLG CAP (Ref # 28)	21132-005	4
CAP-SPARK PLUG,RTFM20 (Ref # 29)	21130-1007	4
GROMMET-PLUG CAP,A (Ref # 30)	21131-004	4
CAP,SPARK PLUG (Ref # 31)	21160-005	4
REGULATOR (Ref # 32)	21066-029	1
WIRING HARNESS,BREAKR (Ref # 33)	26001-1081	1