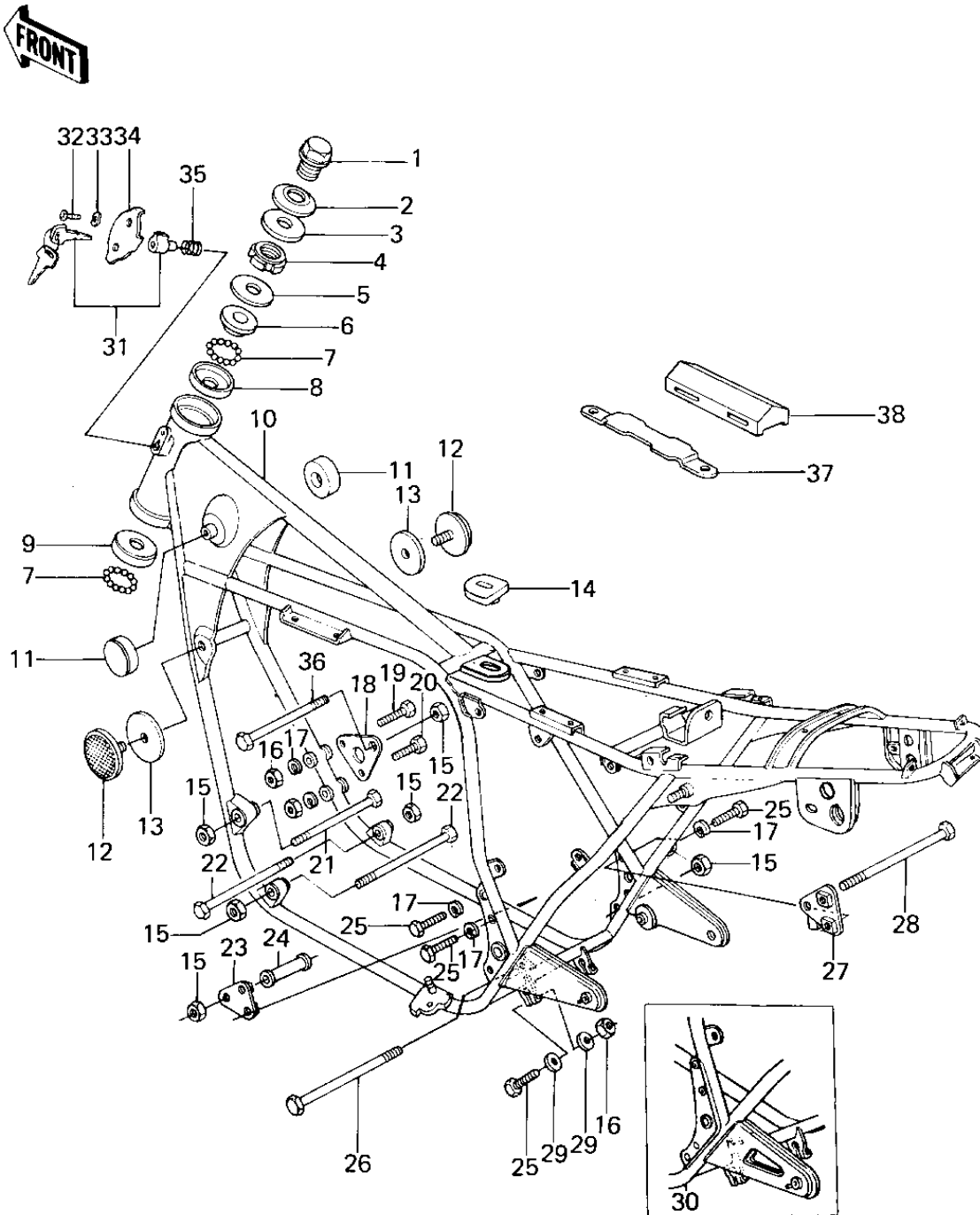


1978 KZ650-B2A PARTS DIAGRAM

FRAME/FRAME FITTINGS



1978 KZ650-B2A PARTS LIST

FRAME/FRAME FITTINGS

ITEM NAME	PART NUMBER	QUANTITY
BOLT,STEERG STEM HEAD (Ref # 1)	92007-031	1
WASHER,STEERG STM HD (Ref # 2)	92022-230	1
WASHER,WAVE (Ref # 3)	46100-003	1
NUT STEERING STEM LCK (Ref # 4)	92090-007	1
CAP, STEERING STEM (Ref # 5)	46098-016	1
CONE,STRNG STM BRNG (Ref # 6)	92047-011	1
BALL STEEL 1/4' (Ref # 7)	600A0800	39
RACE STRNG STEM BERNG (Ref # 8)	92048-006	1
RACE,STRNG STM BRNG (Ref # 9)	92048-008	1
FRAME (Ref # 10)	32002-155	1
DAMPER RUBBER-FL TANK (Ref # 11)	92075-101	2
REFLECTOR,REFLEX (Ref # 12)	28012-016	2
DAMPER RUBBER,REFLECT (Ref # 13)	92094-011	2
DAMPER RUBBER FUEL TA (Ref # 14)	92075-295	1
NUT,LOCK,10MM (Ref # 15)	92019-021	6
NUT,8MM (Ref # 16)	311B0800	4
WASHER SPRING 8MM (Ref # 17)	461F0800	6
PLATE,FRONT ENG.MOUNT (Ref # 18)	32030-063	1
BOLT-8X63 (Ref # 19)	92001-1397	1
BOLT,HEX HEAD,8X59 (Ref # 20)	110G0859	1
BOLT,HEX HEAD,10X72 (Ref # 21)	92001-1049	1
BOLT,HEX HEAD,10X84 (Ref # 22)	92001-1048	2
PLATE,RR ENG MONT,L.H (Ref # 23)	32030-064	1
COLLAR,L=54MM. (Ref # 24)	92027-275	1
BOLT (Ref # 25)	92001-1578	6
BOLT,HEX HEAD,10X219 (Ref # 26)	92091-032	1
PLATE,RR ENG MONT,R.H (Ref # 27)	32030-065	1
BOLT,ENGINE MOUNTING (Ref # 28)	92091-023	1
WASHER PLAIN 8MM (Ref # 29)	410B0800	4

1978 KZ650-B2A PARTS LIST

FRAME/FRAME FITTINGS

ITEM NAME	PART NUMBER	QUANTITY
FRAME (Ref # 30)	32002-1049	1
LOCK-ASSY,STEERING (Ref # 31)	27016-5009	1
LOCK-ASSY,STEERING (Ref # 31)	27016-5009	1
SCREW-TAPPING (Ref # 32)	92008-007	1
WASHER (Ref # 33)	92097-003	1
CAP,STEERING LOCK (Ref # 34)	11012-1134	1
SPRING-STEERING LOCK (Ref # 35)	27032-001	1
BOLT,HEX HEAD,10X46 (Ref # 36)	92001-1050	2
BRACKET,IGNITION COIL (Ref # 37)	11034-1125	2
DAMPER,IGNITION COIL (Ref # 38)	92075-1033	2