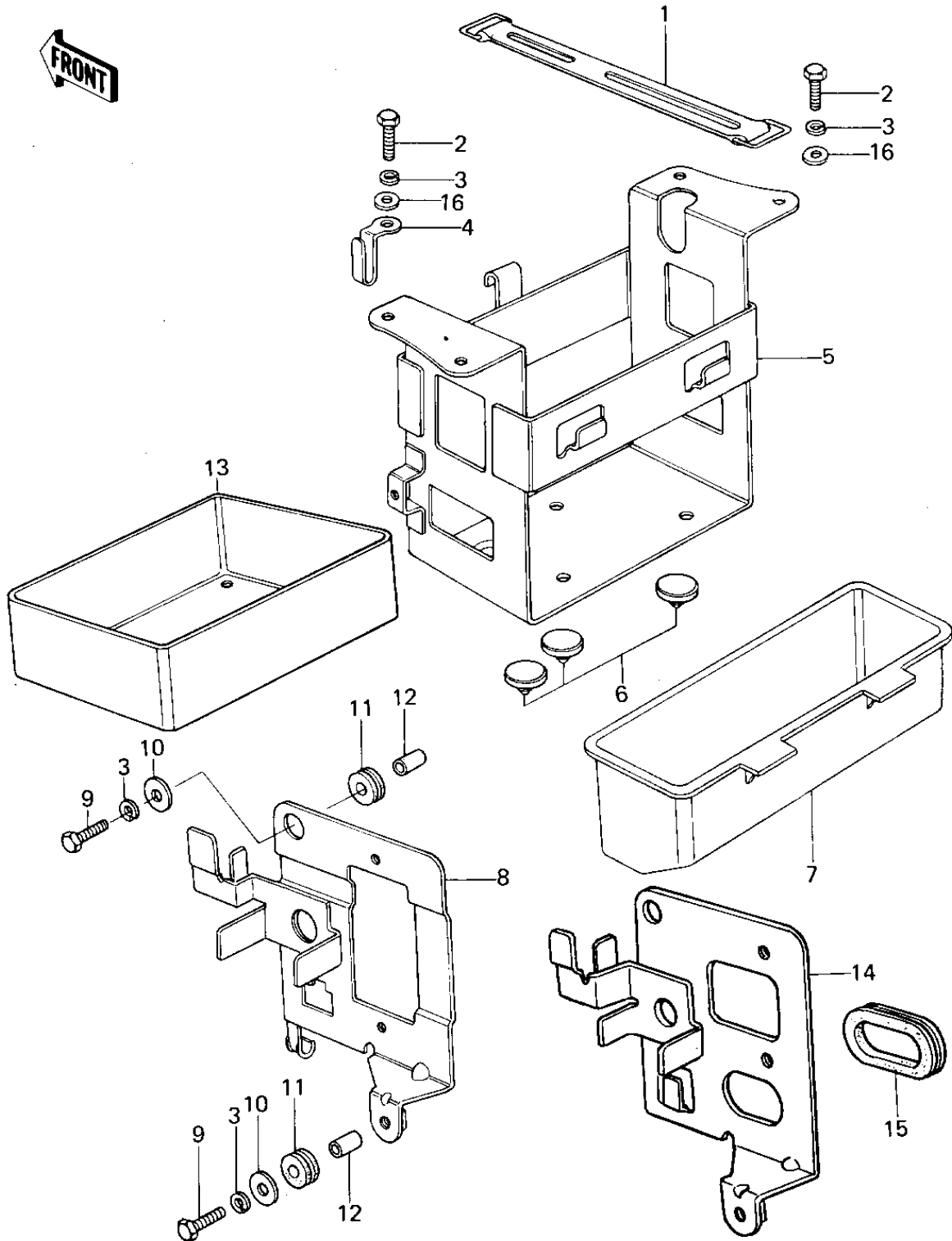


1979 KZ650-B3 PARTS DIAGRAM

BATTERY CASE/TOOL CASE



1979 KZ650-B3 PARTS LIST

BATTERY CASE/TOOL CASE

ITEM NAME	PART NUMBER	QUANTITY
BAND,OIL TANK (Ref # 1)	92072-054	1
BOLT-UPSET,6X12 (Ref # 2)	112G0612	4
WASHER SPRING 6MM (Ref # 3)	461F0600	6
BRACKET,HELMET HOLDER (Ref # 4)	32122-057	1
CASE,BATTERY (Ref # 5)	32097-043	1
CASE,BATTERY (Ref # 5)	32097-1005	1
DAMPER RUBBER (Ref # 6)	92075-078	3
CASE,TOOL (Ref # 7)	32098-028	1
BRACKET,ELECTRO BASE (Ref # 8)	32129-016	1
BOLT-UPSET (Ref # 9)	112G0625	2
WASHER,PLAIN,7MM (Ref # 10)	92022-228	2
DAMPER (Ref # 11)	92075-317	2
COLLAR-CLAMP (Ref # 12)	92027-291	2
CASE,BATTERY (Ref # 13)	32099-015	1
BRACKET,ELECTRO BASE (Ref # 14)	11036-1089	1
GROMMET,ELECTO BASE (Ref # 15)	92071-1007	1
WASHER PLAIN 6MM (Ref # 16)	410B0600	4