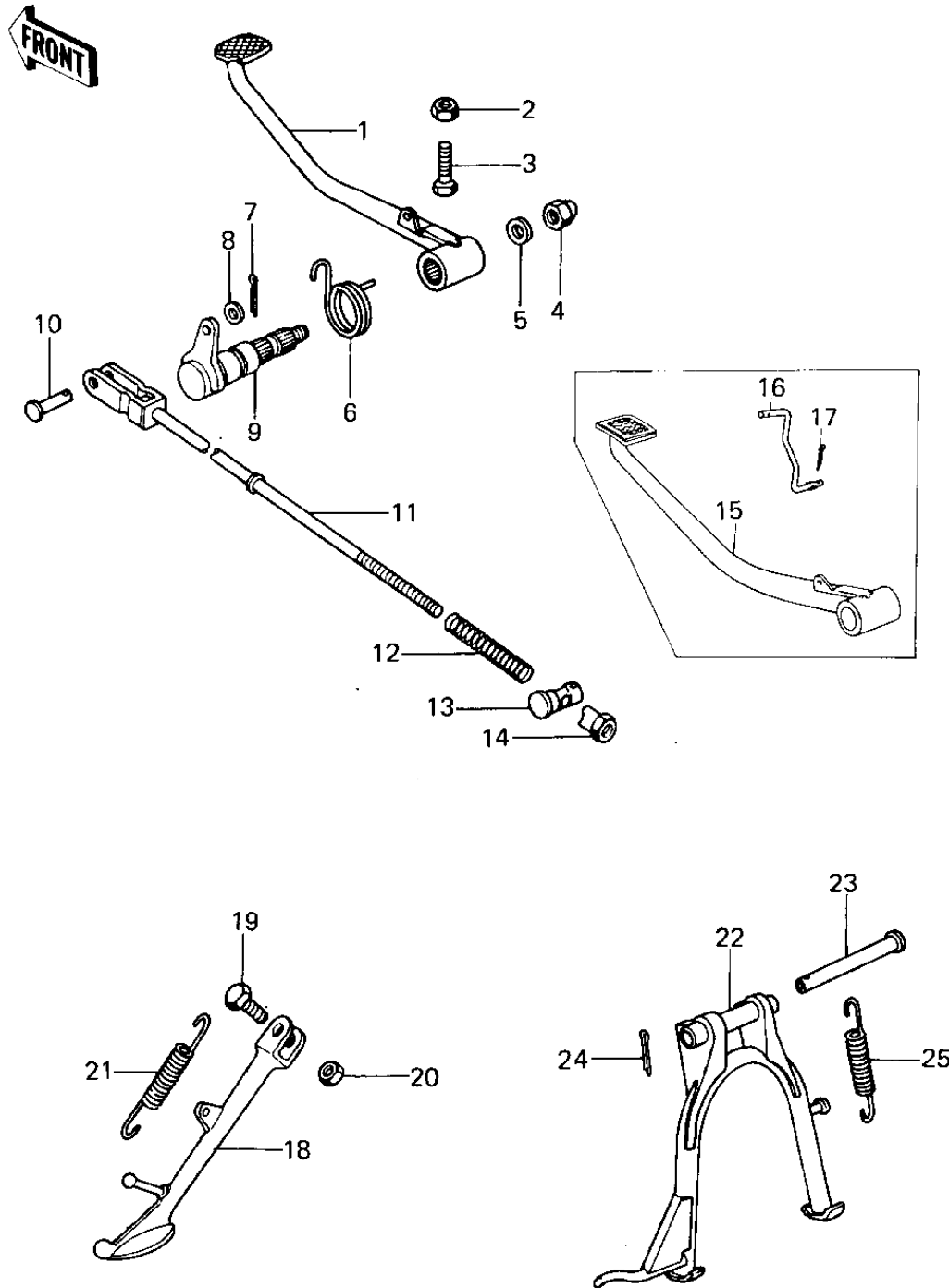


1979 KZ650-B3 PARTS DIAGRAM

STANDS/BRAKE PEDAL



1979 KZ650-B3 PARTS LIST

STANDS/BRAKE PEDAL

ITEM NAME	PART NUMBER	QUANTITY
PEDAL BRAKE (Ref # 1)	43001-1009	1
NUT 6MM (Ref # 2)	311B0600	1
BOLT-UPSET,6X20 (Ref # 3)	112G0620	1
NUT,CAP AND LOCK,8MM (Ref # 4)	92019-013	1
WASHER,8.5X20X1.6 (Ref # 5)	92022-1561	1
SPRING,BRAKE PEDAL (Ref # 6)	43005-022	1
PIN COTTER 2.0X15 (Ref # 7)	550D2015	1
WASHER PLAIN 6MM (Ref # 8)	410B0600	1
SHAFT,BRAKE PEDAL (Ref # 9)	43004-012	1
PIN-BRAKE ROD FITTING (Ref # 10)	92043-064	1
ROD-BRAKE (Ref # 11)	43011-009	1
SPRING,BRAKE ROD (Ref # 12)	43012-001	1
PIN-BRAKE ROD (Ref # 13)	92043-065	1
NUT-BRAKE ROD ADJUST (Ref # 14)	92015-042	1
PEDAL BRAKE (Ref # 15)	43001-1009	1
HOOK,BRAKE SWITCH (Ref # 16)	27012-1003	1
PIN COTTER 1.6X10 (Ref # 17)	550D1610	1
STAND-SIDE (Ref # 18)	34024-1103	1
BOLT-SIDE STAND (Ref # 19)	92003-079	1
NUT,10MM (Ref # 20)	314B1000	1
SPRING,SIDE STAND (Ref # 21)	34025-005	1
STAND-MAIN (Ref # 22)	34011-1041	1
SHAFT,MAIN STAND (Ref # 23)	34019-015	1
PIN COTTER 3.0X30 (Ref # 24)	550D3030	1
SPRING,MAIN STAND (Ref # 25)	34023-016	1