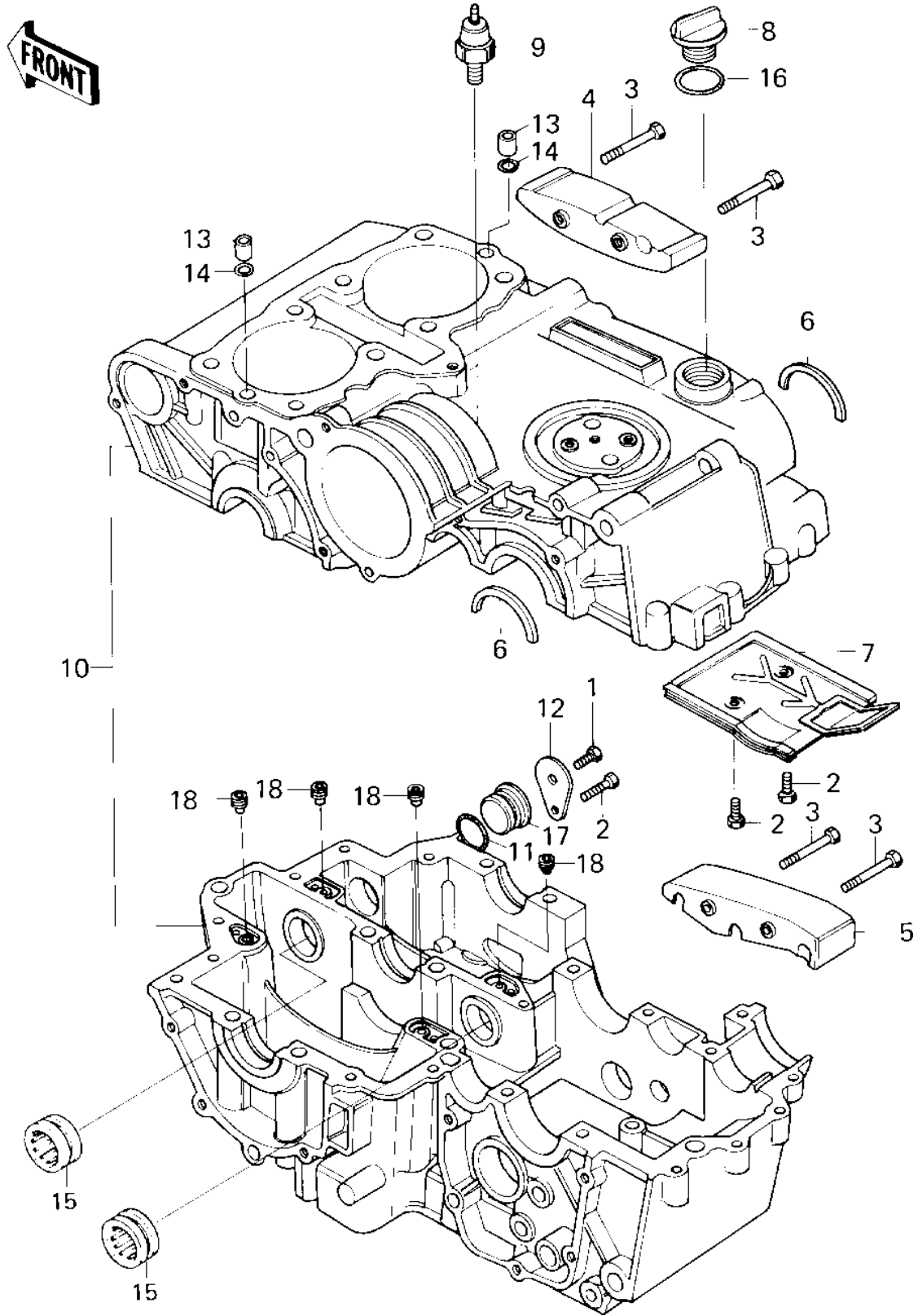


# 1980 LTD II PARTS DIAGRAM

## CRANKCASE



# 1980 LTD II PARTS LIST

## CRANKCASE

ITEM NAME	PART NUMBER	QUANTITY
BOLT HEX HEAD 6X8 (Ref # 1)	110B0608	1
BOLT-UPSET 6X14 (Ref # 2)	112B0614	3
BOLT,FLANGED,8X35 (Ref # 3)	92001-1577	4
SLIPPER,PRIMARY CHAI (Ref # 4)	12053-020	1
SLIPPER,PRIMARY CHAI (Ref # 5)	12053-021	1
RING BEARING SETTING (Ref # 6)	14013-004	2
PLATE,BREATHER (Ref # 7)	14068-008	1
PLUG,OIL FILLER (Ref # 8)	16115-013	1
SWITCH,OIL PRESSURE (Ref # 9)	27010-1157	1
SET-CRANKCASE (Ref # 10)	14001-5092	1
"O" RING (Ref # 11)	670B3030	1
SPACER (Ref # 12)	92026-115	1
PIN,11X14X12.3 (Ref # 13)	92043-1266	2
"O" RING (Ref # 14)	92055-093	2
BEARING,NEEDLE (Ref # 15)	92046-048	4
"O" RING,31MM (Ref # 16)	92055-049	1
PLUG (Ref # 17)	92066-049	1
SCREW,SLOTTED (Ref # 18)	92013-007	4