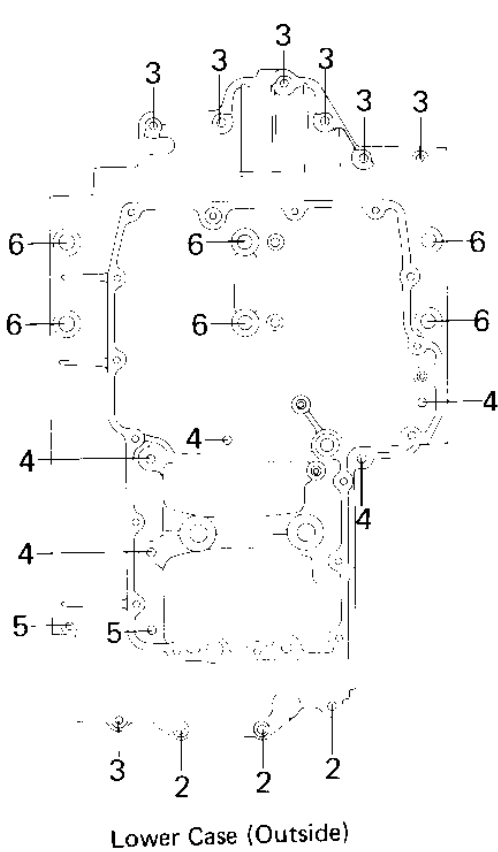
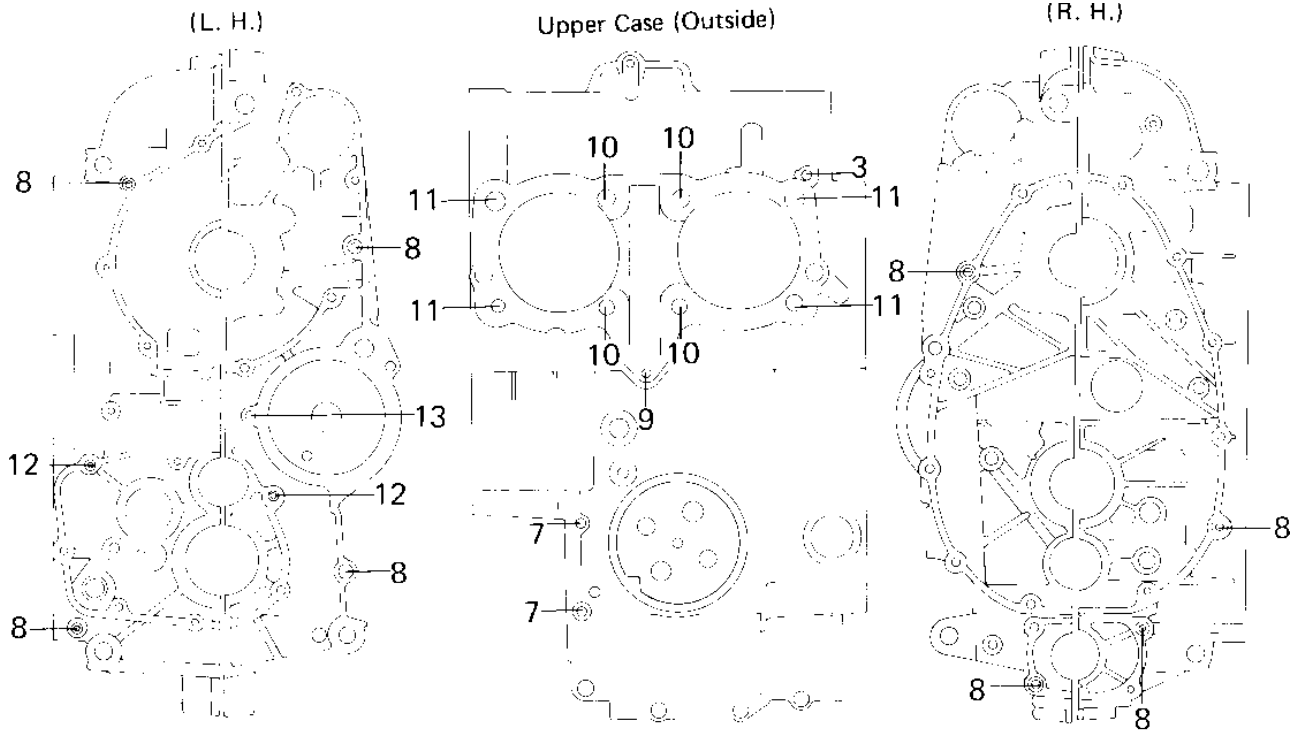


1980 LTD II PARTS DIAGRAM

CRANKCASE BOLT & STUD PATTERN



1980 LTD II PARTS LIST

CRANKCASE BOLT & STUD PATTERN

ITEM NAME	PART NUMBER	QUANTITY
PIN,DOWEL,10X8.2X14 (Ref # 1)	92043-1037	2
BOLT,HEX HEAD,6X41 (Ref # 2)	92003-109	3
BOLT,HEX HEAD,6X54 (Ref # 3)	92003-110	8
BOLT-FLANGED,6X95 (Ref # 4)	130G0695	5
BOLT-FLANGED,6X70 (Ref # 5)	130G0670	2
BOLT,10X115 (Ref # 6)	92003-187	6
BOLT,6X105 (Ref # 7)	92003-194	2
PIN,DOWEL,10X8.2X14 (Ref # 8)	92043-1037	8
STUD (Ref # 9)	92004-059	1
STUD,10X190 (Ref # 10)	92004-1002	4
STUD,10X158 (Ref # 11)	92004-1003	4
PIN-DOWEL (Ref # 12)	92042-007	2
PIN DOWEL 6MM (Ref # 13)	92042-016	4
NOZZLE,OIL BIAS (Ref # 14)	92062-011	2