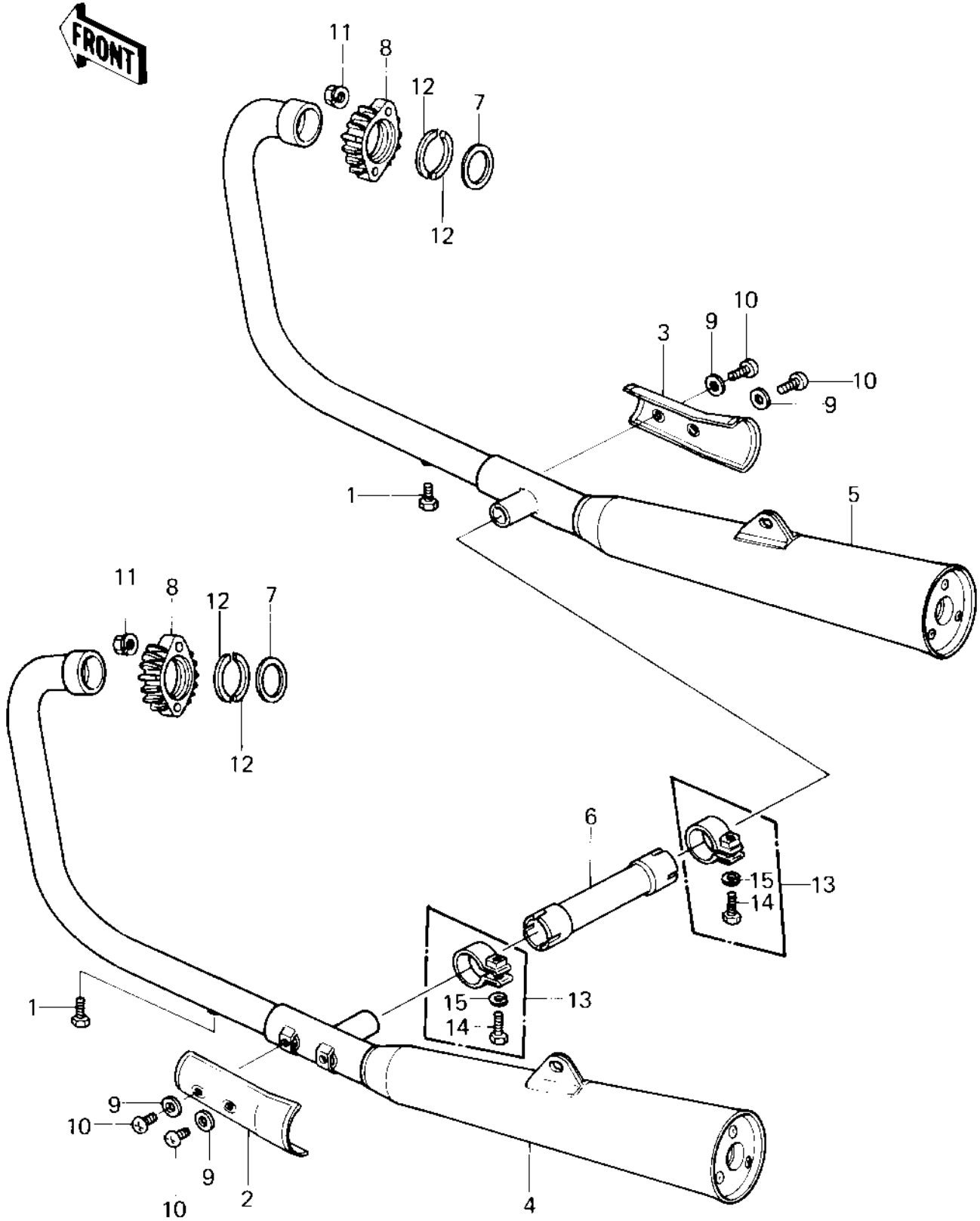


1980 LTD II PARTS DIAGRAM

MUFFLERS



1980 LTD II PARTS LIST

MUFFLERS

ITEM NAME	PART NUMBER	QUANTITY
BOLT (6X10) (Ref # 1)	110R0610	2
COVER,MUFFLER L.H (Ref # 2)	14025-1194	1
COVER,MUFFLER R.H (Ref # 3)	14025-1195	1
MUFFLER,LH (Ref # 4)	18001-1086	1
MUFFLER,RH (Ref # 5)	18001-1087	1
PIPE (Ref # 6)	32032-1752	1
GASKET,EXHAUST PIPE (Ref # 7)	11009-1840	2
HOLDER,EXHAUST PIPE (Ref # 8)	18069-060	2
WASHER-PLAIN,6MM (Ref # 9)	411D0600	4
SCREW,PAN HEAD,6X8 (Ref # 10)	92011-039	4
NUT,LOCK,8MM (Ref # 11)	92017-013	4
COLLAR,EXHAUST PIPE (Ref # 12)	92027-1241	4
CLAMP,PIPE,34.5MM (Ref # 13)	92037-1219	2
BOLT-SMALL-UPSET 8X2 (Ref # 14)	115G0825	2
WASHER SPRING 8MM (Ref # 15)	461F0800	2