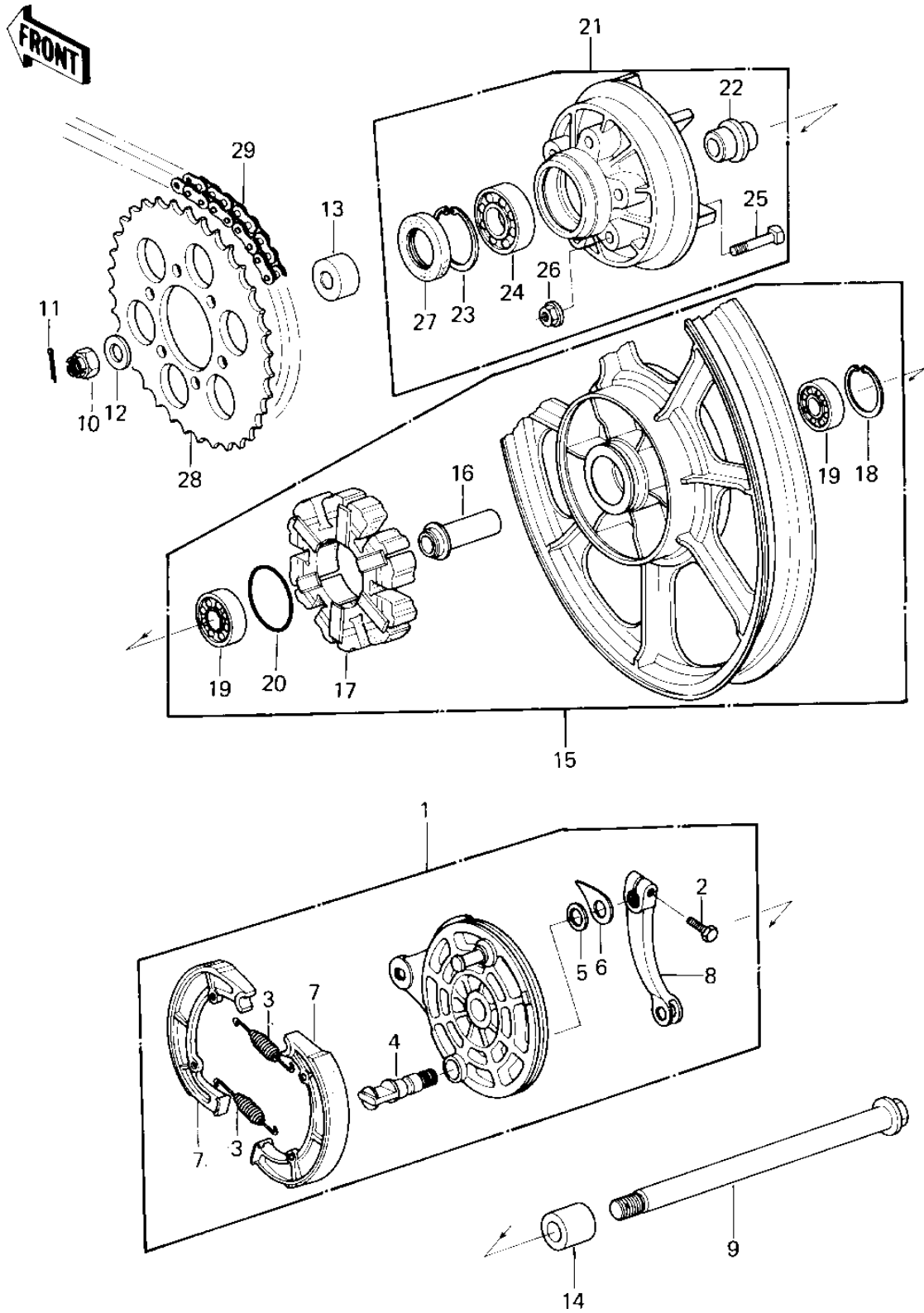


1980 LTD II PARTS DIAGRAM

REAR WHEEL/HUB/BRAKE/CHAIN



1980 LTD II PARTS LIST

REAR WHEEL/HUB/BRAKE/CHAIN

ITEM NAME	PART NUMBER	QUANTITY
PANEL-ASY,RR BRK (Ref # 1)	41035-1026	1
BOLT HEX HEAD 8X28 (Ref # 2)	114G0828	1
SPRING,BRAKE SHOE (Ref # 3)	41049-012	1
CAM SHAFT,BRAKE (Ref # 4)	41050-017	1
DUST SHIELD-BRAKE CA (Ref # 5)	41051-003	1
INDICATOR,BRAKE SHOE (Ref # 6)	41085-004	1
SHOE,BRAKE (Ref # 7)	42019-012	1
LEVER REAR BRAKE CAM (Ref # 8)	42029-039	1
AXLE,REAR (Ref # 9)	41068-1027	1
NUT CASTLE,18MM (Ref # 10)	42045-018	1
PIN-COTTER,4.0X35 (Ref # 11)	550D4035	1
WASHER,PLAIN,20MM (Ref # 12)	92022-248	1
COLLAR,REAR AXLE L.H (Ref # 13)	92027-1211	1
COLLAR,REAR AXLE,R.H (Ref # 14)	92027-1212	1
SOLID WHEEL ASSY,REA (Ref # 15)	41073-1059	1
COLLAR,RR HUB BEARIN (Ref # 16)	42010-040	1
SHOCK DAMPER (Ref # 17)	42014-032	1
RING,SNAP,56.2M/M (Ref # 18)	92033-1043	1
BEARING,BALL,#6304ZZ (Ref # 19)	601B6304ZZ	2
"0" RING,60MM (Ref # 20)	671B2560	1
COUPLING ASSY,REAR (Ref # 21)	42033-1012	1
SLEEVE,REAR COUPLING (Ref # 22)	42036-1027	1
CIRCLIP,62M/M (Ref # 23)	92033-1044	1
BALL BEARING,#6206 (Ref # 24)	601B6206	1
BOLT (Ref # 25)	92001-161	6
NUT,10MM (Ref # 26)	92015-1415	6
OIL SEAL (Ref # 27)	92050-027	1
SPROCKET,REAR,38T (Ref # 28)	42041-1054	1
CHAIN,530X106 SH-D (Ref # 29)	92057-1044	1