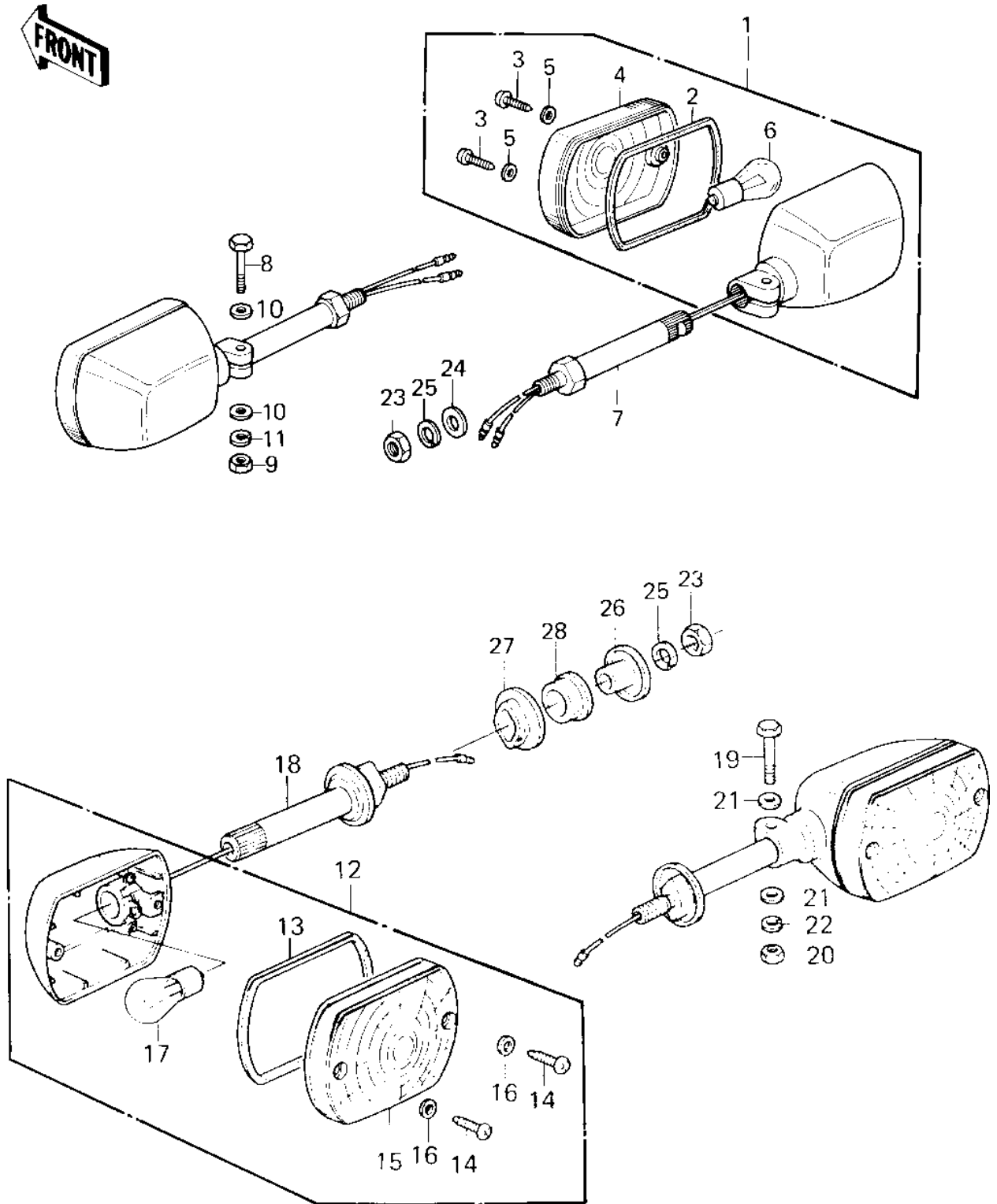


# 1980 LTD II PARTS DIAGRAM

## TURN SIGNALS



# 1980 LTD II PARTS LIST

## TURN SIGNALS

ITEM NAME	PART NUMBER	QUANTITY
LAMP ASSY,TURN SIGNA (Ref # 1)	23040-1017	2
GASKET,OIL PAN (Ref # 2)	11060-1057	2
SCREW-PAN-CROS (Ref # 3)	220E0412	4
LENS-SIGNAL LAMP (Ref # 4)	23048-1022	2
WASHER-PLAIN,4MM (Ref # 5)	23058-002	4
BULB,12V 23/8W (Ref # 6)	92069-060	2
BRACKET FR SGNL LAMP (Ref # 7)	23051-1032	2
BOLT-UPSET (Ref # 8)	112G0630	2
NUT 6MM (Ref # 9)	311B0600	2
WASHER PLAIN 6MM (Ref # 10)	411B0600	4
WASHER SPRING 6MM (Ref # 11)	461F0600	2
LAMP ASSY,TURN SIGNA (Ref # 12)	23040-1018	2
GASKET,TURN SIGNAL (Ref # 13)	11009-1052	2
SCREW-PAN-CRSOSS,4X1 (Ref # 14)	220B0412	4
LENS-SIGNAL LAMP (Ref # 15)	23048-1022	2
UNAVAILABLE IN PRICE BOOK (Ref # 16)	23068-002	4
BULB 12V 32CP (Ref # 17)	92069-055	2
BRACKET,TURN SIGNAL (Ref # 18)	23051-1014	2
BOLT-UPSET (Ref # 19)	112G0630	2
NUT 6MM (Ref # 20)	311B0600	2
WASHER PLAIN 6MM (Ref # 21)	411B0600	4
WASHER SPRING 6MM (Ref # 22)	461F0600	2
NUT 10MM (Ref # 23)	315B1000	4
WASHER-PLAIN,10MM (Ref # 24)	411D1000	2
WASHER SPRING 10MM (Ref # 25)	461F1000	4
COLLAR (Ref # 26)	92027-147	2
DAMPER RUBBER (Ref # 27)	92075-128	2
DAMPER RUBBER,SIG LM (Ref # 28)	92075-158	2