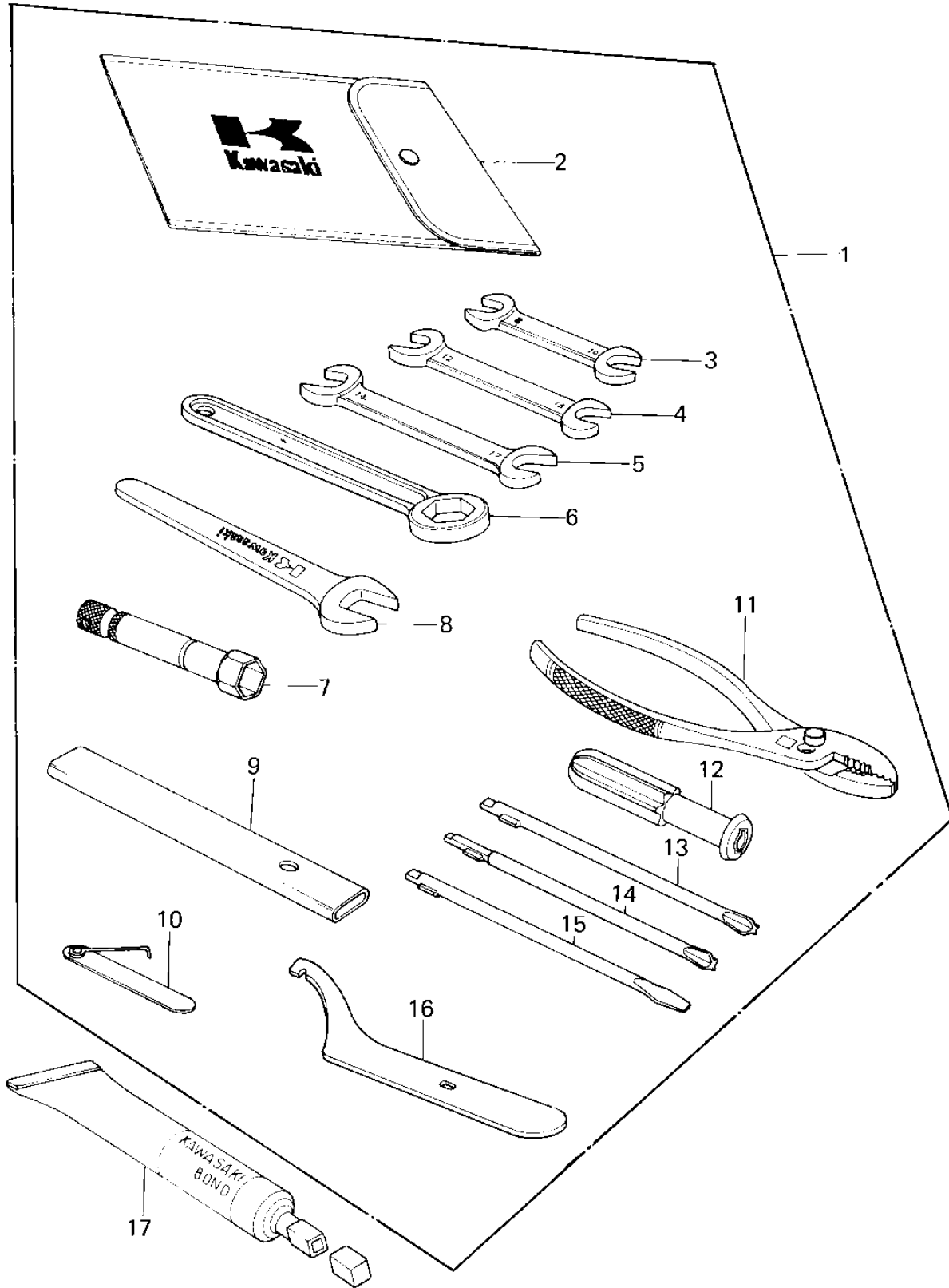


1980 LTD II PARTS DIAGRAM

OWNER TOOLS



1980 LTD II PARTS LIST

OWNER TOOLS

ITEM NAME	PART NUMBER	QUANTITY
TOOL KIT (Ref # 1)	56007-1012	1
BAG,TOOL (Ref # 2)	56008-009	1
WRENCH,OPEN,8X10 (Ref # 3)	92126-001	1
WRENCH,OPEN END,12X1 (Ref # 4)	92126-002	1
TOOL-WRENCH,OPEN END (Ref # 5)	92110-1153	1
TOOL-WRENCH,BOX END, (Ref # 6)	92110-1147	1
WRENCH,SPARK PLUG (Ref # 7)	92108-008	1
WRENCH,OPEN END,22M/ (Ref # 8)	92110-1005	1
WRENCH,OPEN END,22M/M (Ref # 9)	92111-004	1
GAUGE,THICKENSS (Ref # 10)	92128-001	1
92112-003 (Canada) (Ref # 11)	92112-005	1
GRIP,SCREW DRIVER (Ref # 12)	92106-1001	1
92107-1002 (Canada) (Ref # 13)	92107-008	1
TOOL-DRIVER (Ref # 14)	92107-1052	1
92107-1052 (Canada) (Ref # 15)	92107-007	1
WRENCH,HOOK (Ref # 16)	92110-1014	1
LIQUID GASKET (Ref # 17)	92104-002	(1