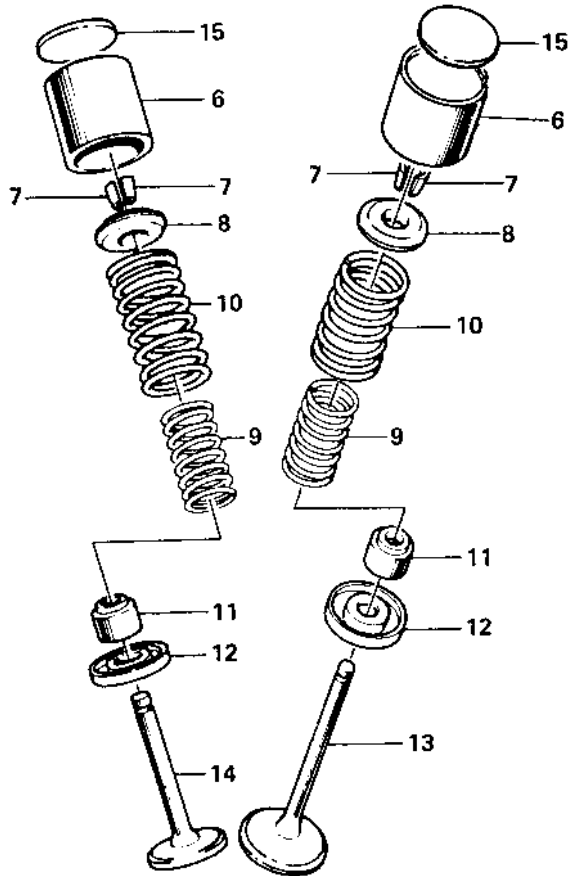
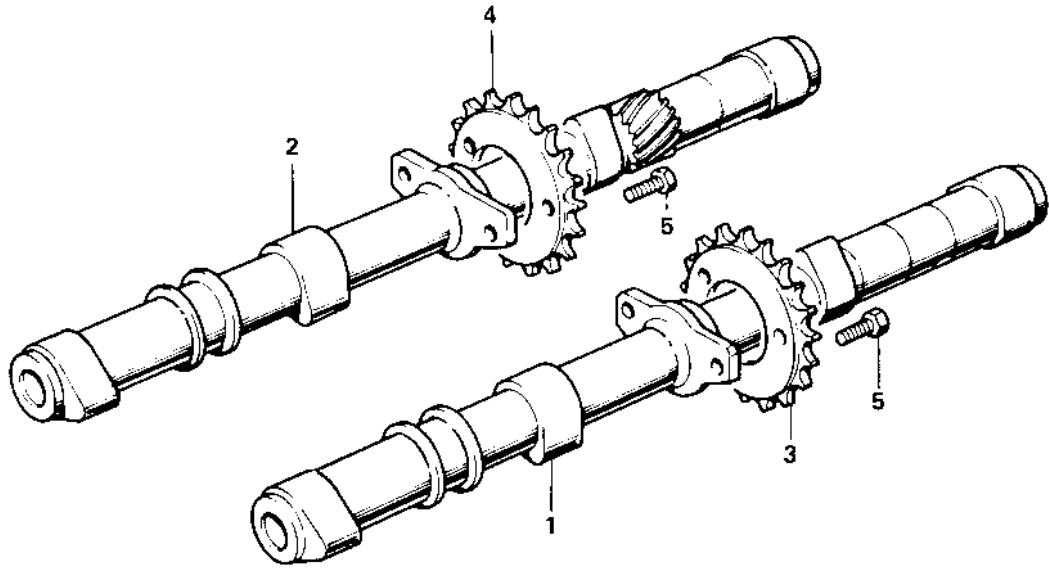


# 1977 KZ900-A5 PARTS DIAGRAM

CAMSHAFTS/VALVES



# 1977 KZ900-A5 PARTS LIST

## CAMSHAFTS/VALVES

| ITEM NAME                           | PART NUMBER | QUANTITY |
|-------------------------------------|-------------|----------|
| CAMSHAFT,INLET (Ref # 1)            | 12044-014   |          |
| CAMSHAFT,INLET (Ref # 1)            | 12044-014   |          |
| CAMSHAFT,EXHAUST (Ref # 2)          | 12044-015   |          |
| CAMSHAFT,EXHAUST (Ref # 2)          | 12044-015   |          |
| SPROCKET,INLET CAMSHAFT (Ref # 3)   | 12046-001   |          |
| SPROCKET,EXHAUST CAMSHAFT (Ref # 4) | 12046-002   |          |
| BOLT,HEX HEAD 6X10 (Ref # 5)        | 92003-141   |          |
| TAPPET (Ref # 6)                    | 12032-005   |          |
| COLLAR,VALUE SPRING (Ref # 7)       | 12011-002   |          |
| RETAINER,VALVE SPRING (Ref # 8)     | 12009-005   |          |
| SPRING,INNER VALVE (Ref # 9)        | 12007-011   |          |
| SPRING,OUTER VALVE (Ref # 10)       | 12007-012   |          |
| OIL SEAL,RV371295 (Ref # 11)        | 92049-016   |          |
| SEAT,VALVE SPRING (Ref # 12)        | 12010-004   |          |
| VALVE,INLET (Ref # 13)              | 12004-012   |          |
| VALVE,EXHAUST (Ref # 14)            | 12005-005   |          |
| SHIM,TAPPET,2.00T (Ref # 15)        | 12037-001   |          |
| SHIM,TAPPET,2.05T (Ref # 15)        | 12037-002   |          |
| SHIM,TAPPET,2.10T (Ref # 15)        | 12037-003   |          |
| SHIM,TAPPET,2.15T (Ref # 15)        | 12037-004   |          |
| SHIM,TAPPET,2.20T (Ref # 15)        | 12037-005   |          |
| SHIM,TAPPET,2.25T (Ref # 15)        | 12037-006   |          |
| SHIM,TAPPET,2.30T (Ref # 15)        | 12037-007   |          |
| SHIM,TAPPET,2.35T (Ref # 15)        | 12037-008   |          |
| SHIM,TAPPET,2.40T (Ref # 15)        | 12037-009   |          |
| SHIM,TAPPET,2.45T (Ref # 15)        | 12037-010   |          |
| SHIM,TAPPET,2.50T (Ref # 15)        | 12037-011   |          |
| SHIM,TAPPET,2.55T (Ref # 15)        | 12037-012   |          |
| SHIM,TAPPET,2.60T (Ref # 15)        | 12037-013   |          |

# 1977 KZ900-A5 PARTS LIST

## CAMSHAFTS/VALVES

| ITEM NAME                    | PART NUMBER | QUANTITY |
|------------------------------|-------------|----------|
| SHIM,TAPPET,2.65T (Ref # 15) | 12037-014   |          |
| SHIM,TAPPET,2.70T (Ref # 15) | 12037-015   |          |
| SHIM,TAPPET,2.75T (Ref # 15) | 12037-016   |          |
| SHIM,TAPPET,2.80T (Ref # 15) | 12037-017   |          |
| SHIM,TAPPET,2.85T (Ref # 15) | 12037-018   |          |
| SHIM,TAPPET,2.90T (Ref # 15) | 12037-019   |          |
| SHIM,TAPPET,2.95T (Ref # 15) | 12037-020   |          |
| SHIM,TAPPET,3.00T (Ref # 15) | 12037-021   |          |
| SHIM,TAPPET,3.05T (Ref # 15) | 12037-022   |          |
| SHIM,TAPPET,3.10T (Ref # 15) | 12037-023   |          |
| SHIM,TAPPET,3.15T (Ref # 15) | 12037-024   |          |
| SHIM,TAPPET 3.20T (Ref # 15) | 12037-025   |          |