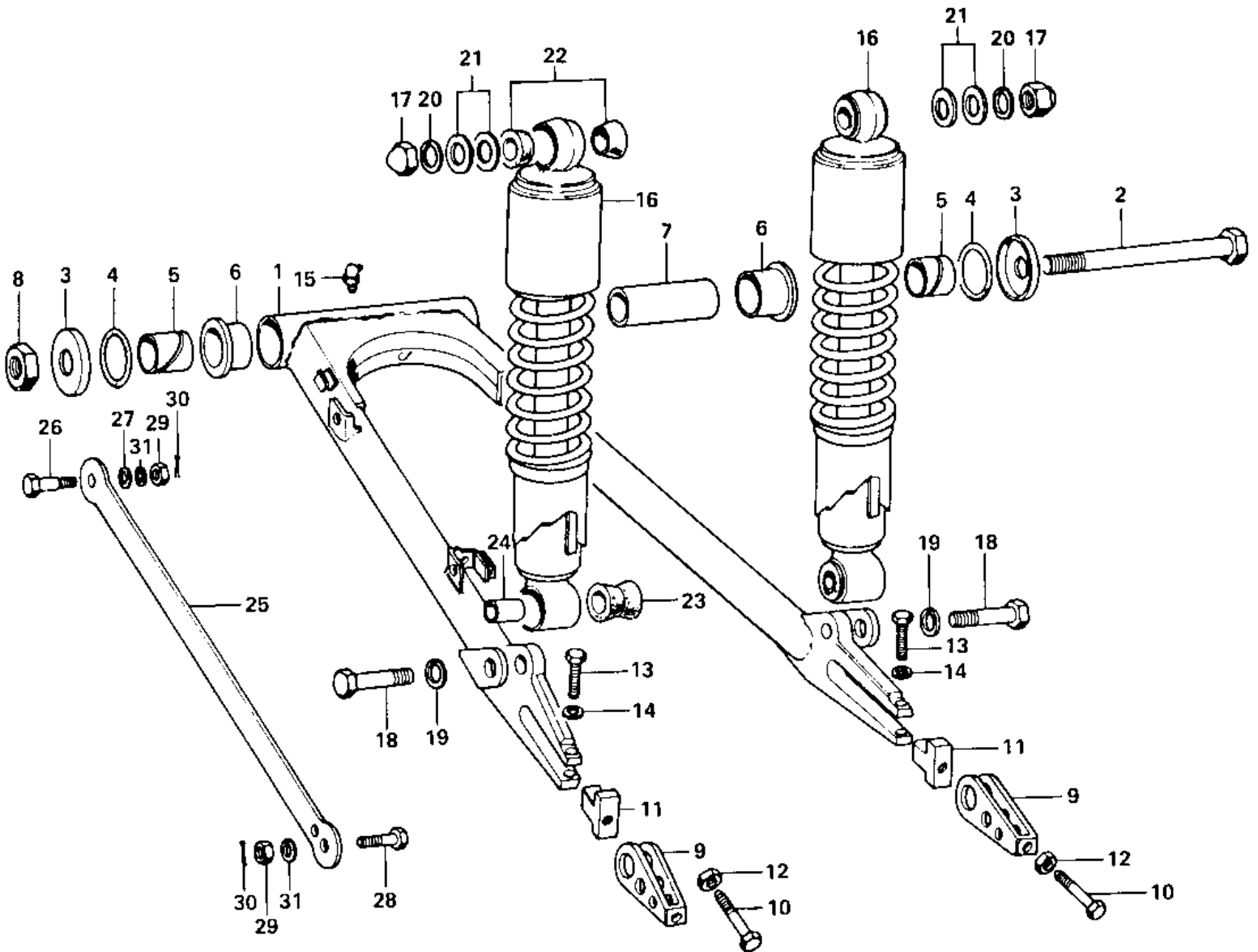


1976 KZ900-A4 PARTS DIAGRAM

SWING ARM/SHOCK ABSORBERS



1976 KZ900-A4 PARTS LIST

SWING ARM/SHOCK ABSORBERS

ITEM NAME	PART NUMBER	QUANTITY
ARM,SWING (Ref # 1)	33001-046	1
SHAFT,SWING ARM PIVOT (Ref # 2)	33032-036	1
CAP,SWING ARM (Ref # 3)	33035-007	2
"0" RING,30MM (Ref # 4)	671B2530	2
SLEEVE SWING ARM (Ref # 5)	33034-009	2
BUSHING-SWING ARM (Ref # 6)	33033-009	2
COLLAR,SWING ARM L=141.5MM (Ref # 7)	33036-005	1
NUT-SELF LOCKING 16MM (Ref # 8)	92019-012	1
ADJUSTER,CHAIN (Ref # 9)	33040-066	2
BOLT-CHN ADJUST 10MM (Ref # 10)	92001-143	2
STOPPER,CHAIN ADJUST (Ref # 11)	33044-001	2
NUT 10MM (Ref # 12)	315B1000	2
BOLT, HEX HEAD, 8X40 (Ref # 13)	110G0840	2
WASHER SPRING 8MM (Ref # 14)	461F0800	2
GREASE NIPPLE (Ref # 15)	92005-002	1
SHOCK ABSBR RR (Ref # 16)	45014-107	2
NUT (Ref # 17)	92020-014	2
BOLT HEX HEAD 10X35 (Ref # 18)	113N1035	2
WASHER SPRING 10MM (Ref # 19)	461F1000	2
WASHER SPRING 12MM (Ref # 20)	461F1200	2
WASHER PLAIN 12MM (Ref # 21)	410B1200	4
BUSH SHCK ABS RUBBER (Ref # 22)	45017-001	4
BUSHING,SHCK ABSORBER (Ref # 23)	45017-011	2
BUSH SHCK ABS PVT SFT (Ref # 24)	45016-003	2
TORQUE LINK,RR BRAKE (Ref # 25)	43007-032	1
BOLT TORQUE LINK FITT (Ref # 26)	92003-103	1
WASHER PLAIN 10MM (Ref # 27)	411B1000	1
BOLT,TORQUE LINK (Ref # 28)	92003-147	1
NUT,10MM (Ref # 29)	313B1000	2

1976 KZ900-A4 PARTS LIST

SWING ARM/SHOCK ABSORBERS

ITEM NAME	PART NUMBER	QUANTITY
PIN,SNAP (Ref # 30)	92041-005	2
WASHER SPRING 10MM (Ref # 31)	461F1000	2