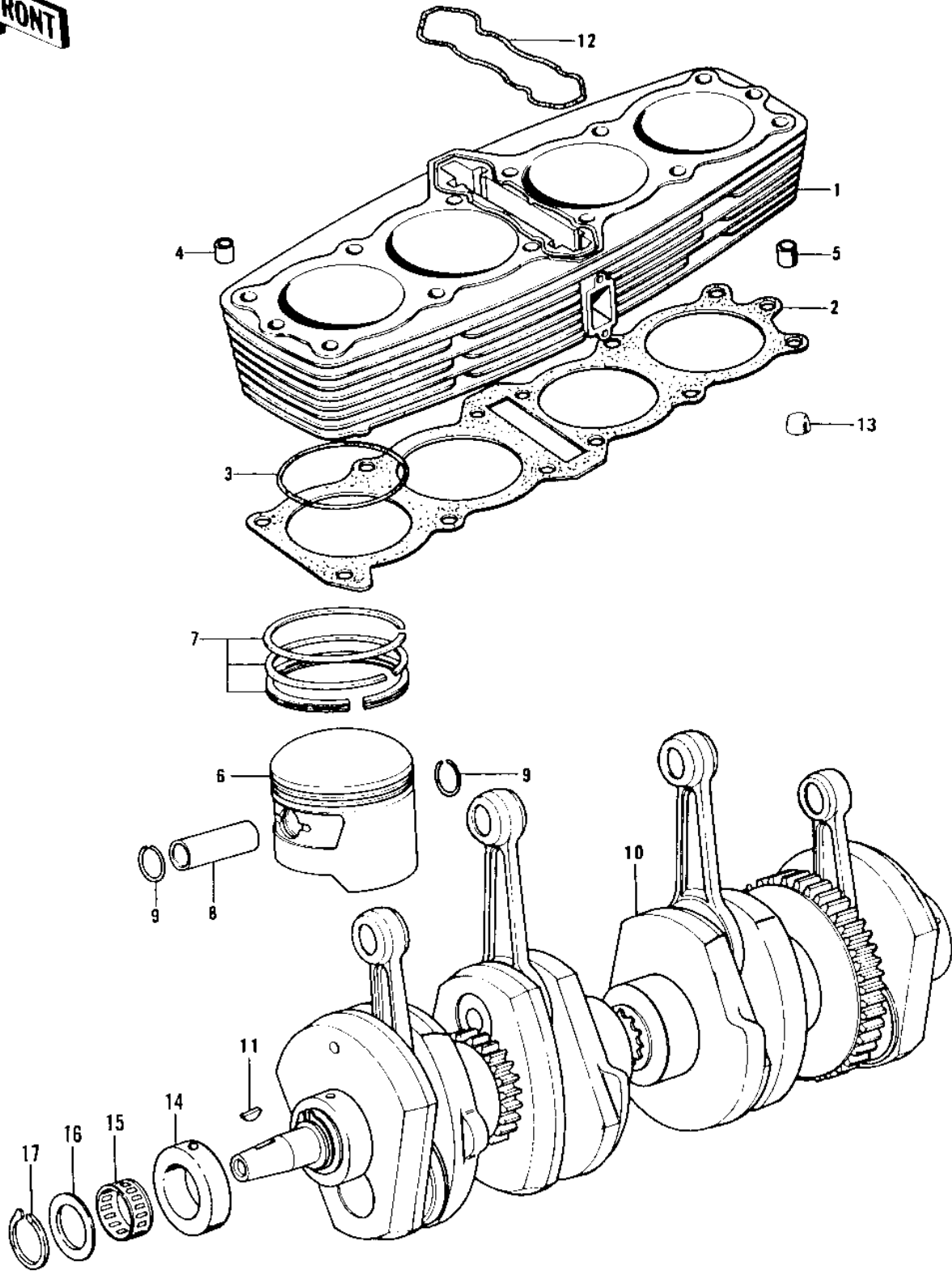


1976 LTD PARTS DIAGRAM

CYLINDER/PISTONS/CRANKSHAFT



1976 LTD PARTS LIST

CYLINDER/PISTONS/CRANKSHAFT

ITEM NAME	PART NUMBER	QUANTITY
CYLINDER,BARREL (Ref # 1)	11005-136-2H	1
GASKET,CYLINDER BASE (Ref # 2)	11009-030	1
"O" RING,73MM (Ref # 3)	92055-054	4
PIN,DOWEL,10X8.2X14 (Ref # 4)	92043-1037	2
PIN,11X14X12.3 (Ref # 5)	92043-1266	2
PISTON,STD (Ref # 6)	13001-054	4
PISTON,0.020 0.S (Ref # 6)	13029-058	(4
PISTON,0.040'0.S (Ref # 6)	13027-056	(4
RING SET,STD (Ref # 7)	13008-5005	4
RING SET,0.020'0.S (Ref # 7)	13025-5004	(4
RING SET,0.040'0.S (Ref # 7)	13024-5005	(4
PIN-PISTON (Ref # 8)	13002-022	4
CIRCLIP,PISTON PIN (Ref # 9)	92036-021	8
CRANK&CONROD ASSY (Ref # 10)	13031-043	1
WOODRUFF KEY (Ref # 11)	92038-001	1
GASKET,CYLINDER RUBE (Ref # 12)	92055-062	1
RUBBER PLUG,CYLINDER (Ref # 13)	92074-030	8
BUSHING,CRANKSHAFT (Ref # 14)	92028-121	2
BRG,N,PK304016.8X3 (Ref # 15)	92046-063	2
WASHER,THRUST (Ref # 16)	92026-079	2
CIRCLIP,30MM (Ref # 17)	480J3000	2