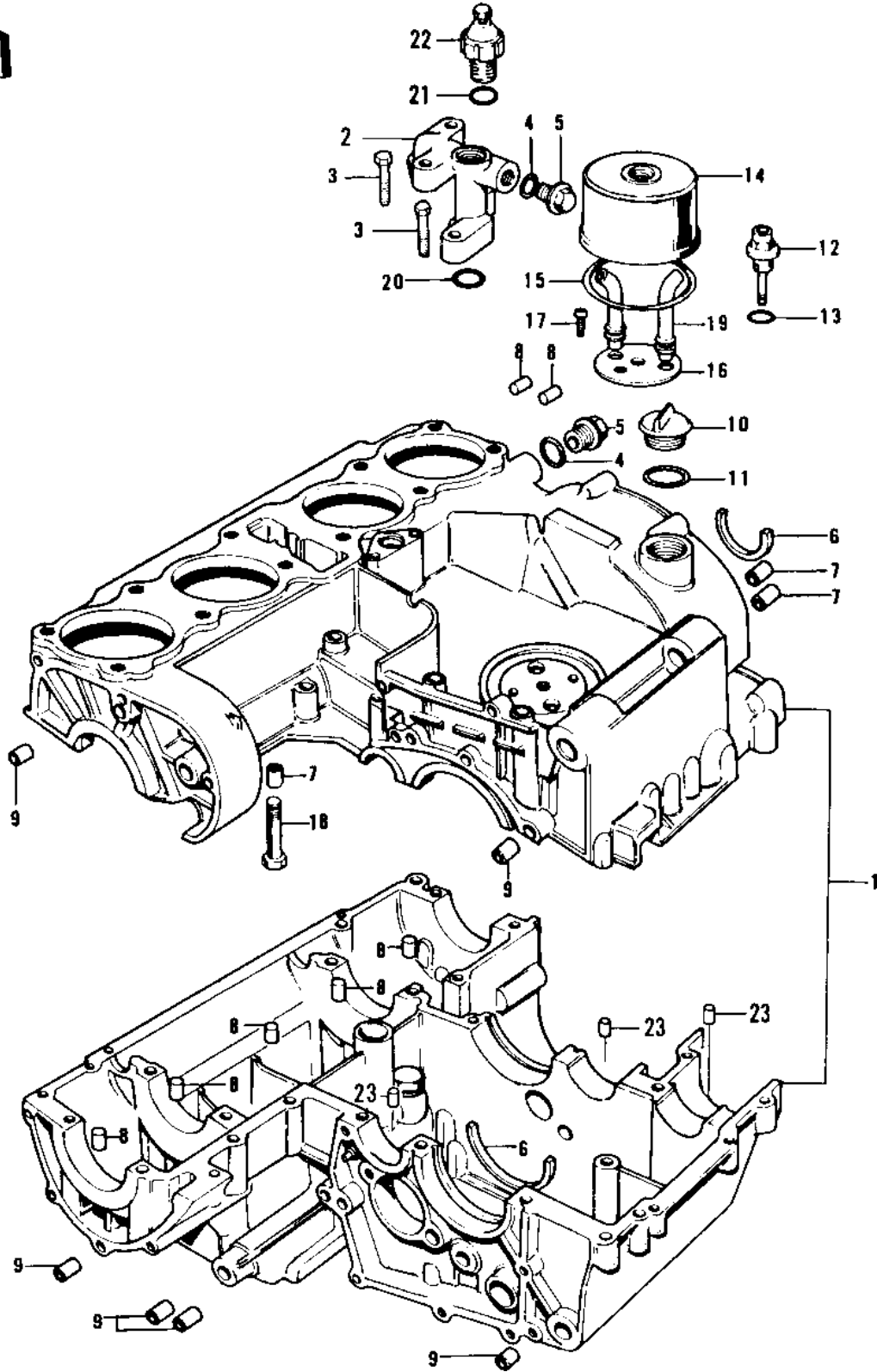


# 1976 LTD PARTS DIAGRAM

## CRANKCASE/BREATHER COVER



# 1976 LTD PARTS LIST

## CRANKCASE/BREATHER COVER

ITEM NAME	PART NUMBER	QUANTITY
CRANKCASE SET (Ref # 1)	14001-5025	1
CRANKCASE SET (Ref # 1)	14001-5025	1
CRANKCASE SET (Ref # 1)	14001-5025	1
PIPE (Ref # 2)	16109-003	1
BOLT,HEX HEAD,6X35 (Ref # 3)	92001-164	4
"O" RING,15MM (Ref # 4)	670B2015	2
PLUG (Ref # 5)	92066-021	1
RING,POSITION (Ref # 6)	14013-1004	2
PIN,DOWEL,10X8.2X14 (Ref # 7)	92043-1037	4
PIN,DOWEL,6X14 (Ref # 8)	610A0614	8
PIN-DOWEL (Ref # 9)	92042-007	6
PLUG,OIL FILLER (Ref # 10)	16115-013	1
"O" RING,31MM (Ref # 11)	92055-049	1
BOLT,BREATHER FITTIN (Ref # 12)	92003-098	1
"O" RING,16MM (Ref # 13)	670B2016	1
BODY,BREATHER (Ref # 14)	14070-003	1
"O" RING,91MM (Ref # 15)	92055-052	1
PLATE,BREATHER (Ref # 16)	14068-007	1
SCREW PAN HEAD 6X18 (Ref # 17)	220B0618	2
BOLT,HEX HEAD,8X72 (Ref # 18)	92003-107	4
PIPE,BREATHER PLATE (Ref # 19)	92059-118	2
"O" RING,18MM (Ref # 20)	670B2018	2
"O" RING (Ref # 21)	92055-055	1
SWITCH,OIL PRESSURE (Ref # 22)	27010-1013	1
SWITCH,OIL PRESSURE (Ref # 22)	27010-1013	1
PIN DOWEL 6MM (Ref # 23)	92042-016	3