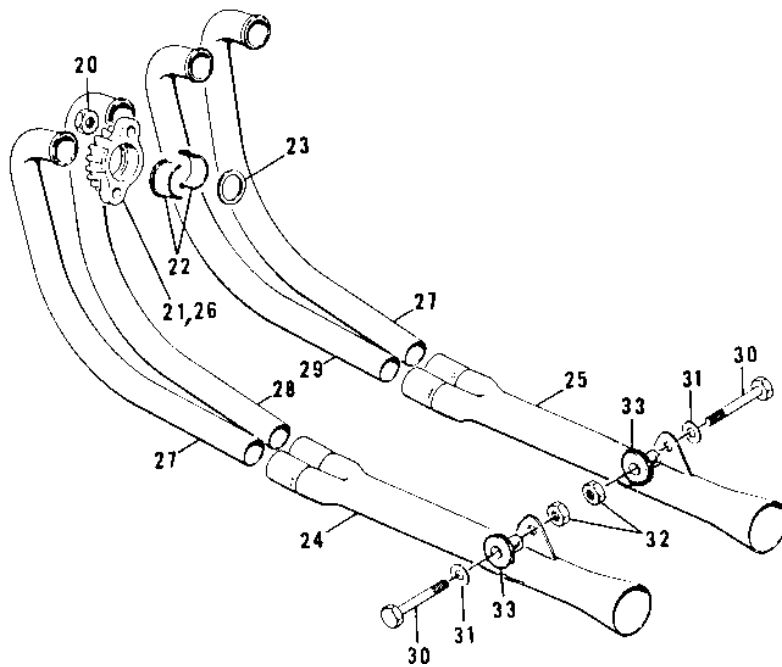
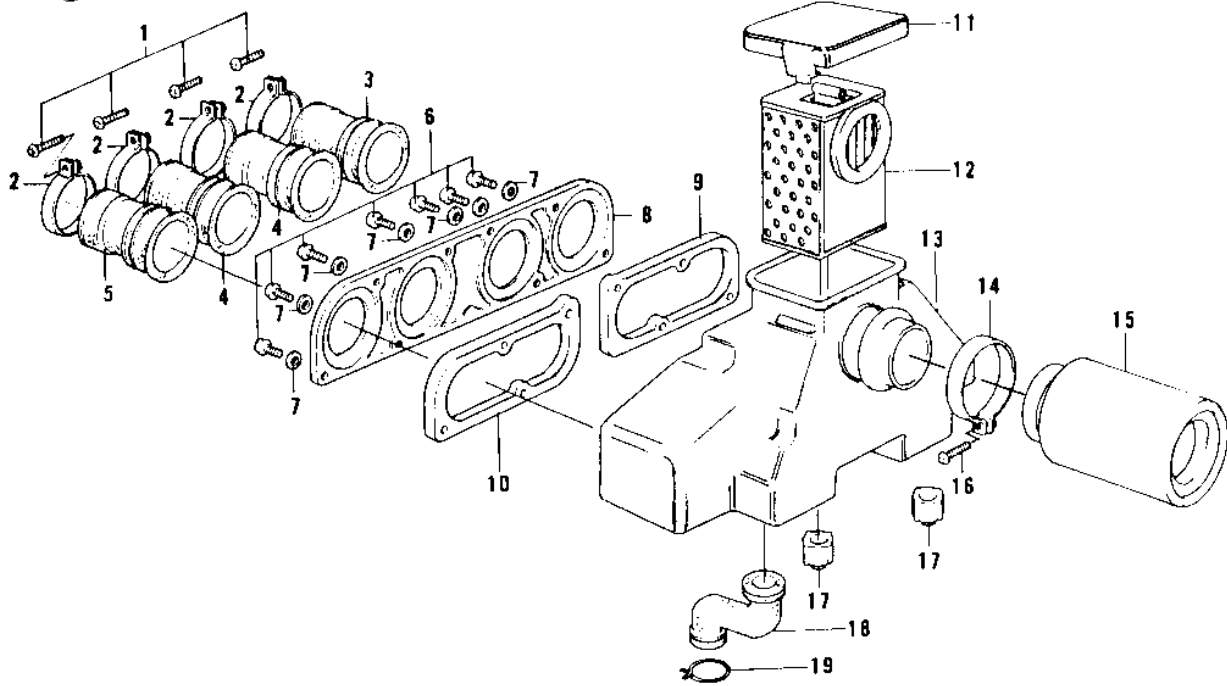


1976 LTD PARTS DIAGRAM

AIR CLEANER/MUFFLERS



1976 LTD PARTS LIST

AIR CLEANER/MUFFLERS

ITEM NAME	PART NUMBER	QUANTITY
SCREW-PAN-CROS (Ref # 1)	220B0535	4
CLAMP-INLET PIPE (Ref # 2)	92037-061	4
DUCT,AIR CLEANER,#4 (Ref # 3)	14073-1024	1
DUCT,AIR CLEANER,#4 (Ref # 3)	14073-1024	1
DUCT,AIR CLEANER,#2, (Ref # 4)	14073-1023	2
DUCT,AIR CLEANER,#2, (Ref # 4)	14073-1023	2
DUCT,AIR CLEANER,#1 (Ref # 5)	14073-1022	1
SCREW PAN HEAD 4X16 (Ref # 6)	220B0416	8
WASHER PLAIN 4MM (Ref # 7)	410B0400	8
PLATE,CARBURETOR HOL (Ref # 8)	11040-001	1
PLATE,CARBURETOR HOL (Ref # 9)	11040-003	1
PLATE,CARBURETOR HOL (Ref # 10)	11040-002	1
CAP,AIR CLEANER BODY (Ref # 11)	11012-070	1
ELEMENT,AIR CLNR (Ref # 12)	11013-058	1
BODY,AIR CLEANER (Ref # 13)	11011-054	1
CLAMP (Ref # 14)	92037-106	1
SILENCER (Ref # 15)	11016-008	1
SCREW-PAN HEAD,5X50 (Ref # 16)	220B0550A	1
CAP,DRAIN (Ref # 17)	11012-1083	2
TUBE,DRAIN (Ref # 18)	92059-124	1
CLAMP BREATHER PIPE (Ref # 19)	92037-028	1
NUT,LOCK 6MM (Ref # 20)	92017-014	8
HOLDER,EXHAUST PIPE (Ref # 21)	18069-045	2
INSERT,EXHAUST PIPE (Ref # 22)	92027-170	8
GASKET,EXHAUST PIPE (Ref # 23)	11009-1906	4
MUFFLER LEFT (Ref # 24)	18001-199	1
MUFFLER RIGHT (Ref # 25)	18001-200	1
HOLDER,EXHAUST PIPE (Ref # 26)	18069-046	2
PIPE,EXHAUST,L.H&R.H (Ref # 27)	18049-076	2

1976 LTD PARTS LIST

AIR CLEANER/MUFFLERS

ITEM NAME	PART NUMBER	QUANTITY
PIPE,EXHAUST,L.H INS (Ref # 28)	18049-077	1
PIPE,EXHAUST,R.H INS (Ref # 29)	18049-078	1
BOLT-HEX HEAD,10X60 (Ref # 30)	113N1060	2
WASHER,PLAIN,10MM (Canada) (Ref # 31)	410D1000	2
NUT,LOCK,10MM (Ref # 32)	92019-021	2
BUSHING,MUFFLER FITT (Ref # 33)	92092-010	4